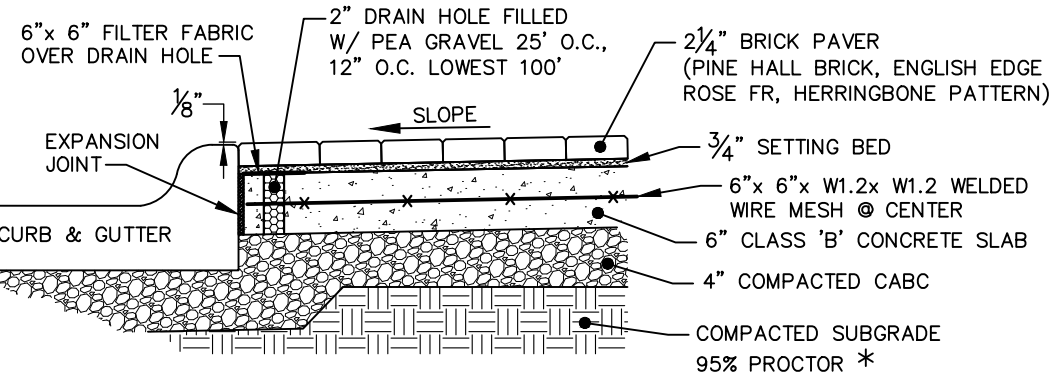
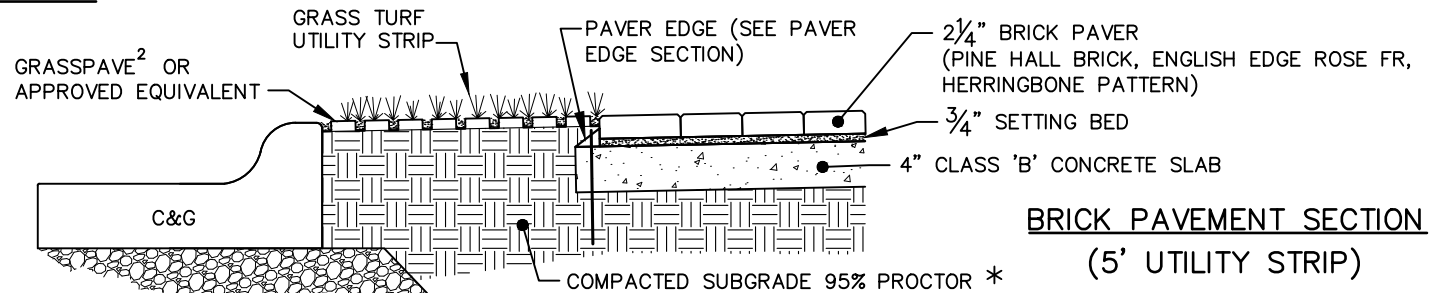
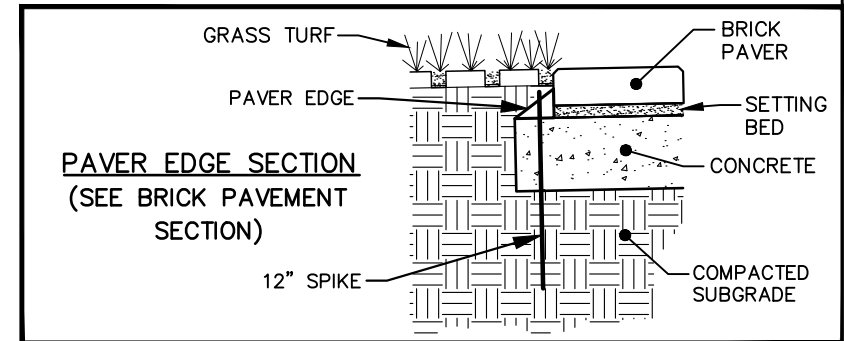
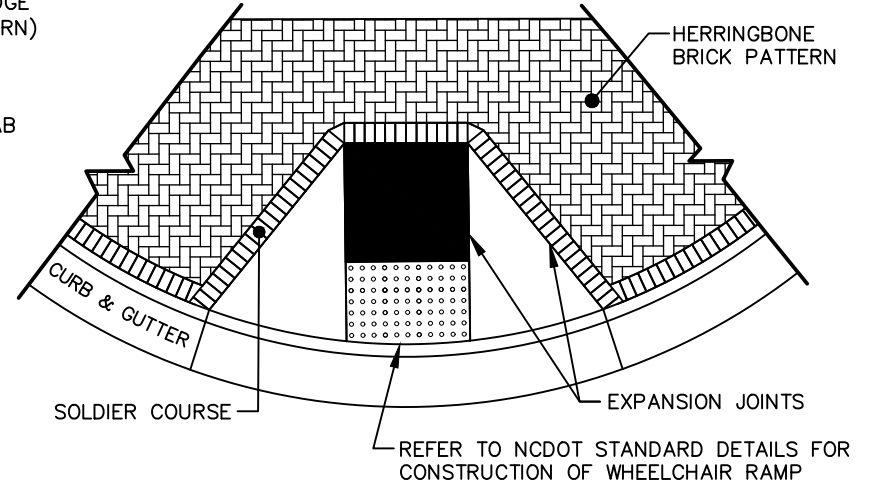


**BRICK SIDEWALK SECTION  
LIGHT DUTY**



**BRICK SIDEWALK SECTION  
HEAVY DUTY**

**WHEELCHAIR RAMP - PLAN VIEW**



EFFECTIVE: 07/01/21

**STANDARD BRICK PAVERS OR CONCRETE PAVERS SIDEWALK**

DETAIL No.

3100.09