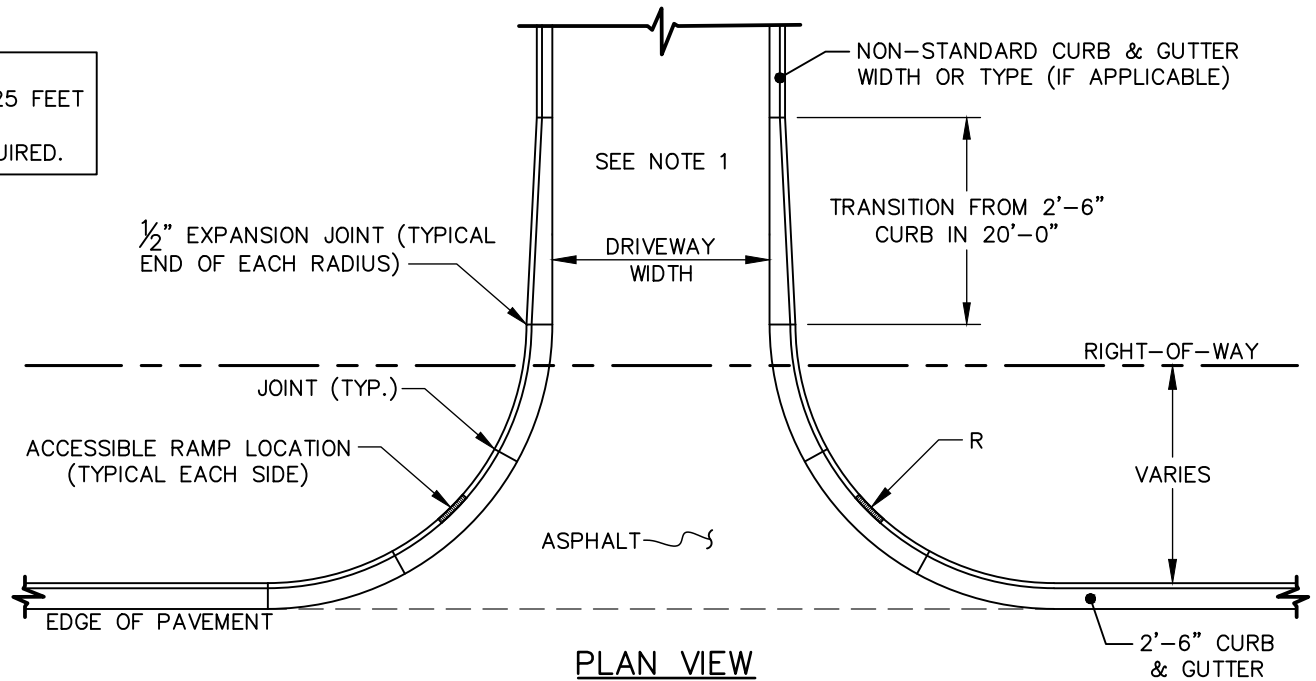


EDGE OF PAVEMENT OF ULTIMATE STREET SECTION

**NOTE:**  
 DRIVEWAY GRADE SHOULD RISE FROM THE GUTTER LINE TO PREVENT RUNOFF FROM ENTERING DRIVEWAY, UNLESS CATCH BASINS IN STREET ARE PROVIDED TO CAPTURE THE RUNOFF.

**NOTES:**  
 1. PAVING MUST EXTEND INTO SITE AT LEAST 25 FEET FROM EDGE OF PAVEMENT.  
 2. ACCESSIBLE RAMPS PER CURB RETURN REQUIRED.

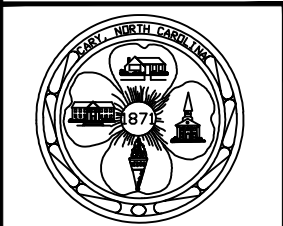


PLAN VIEW

DRIVEWAY ENTRANCE & GRADES - TYPE III

DETAIL No.

3200.03



EFFECTIVE: 07/01/21