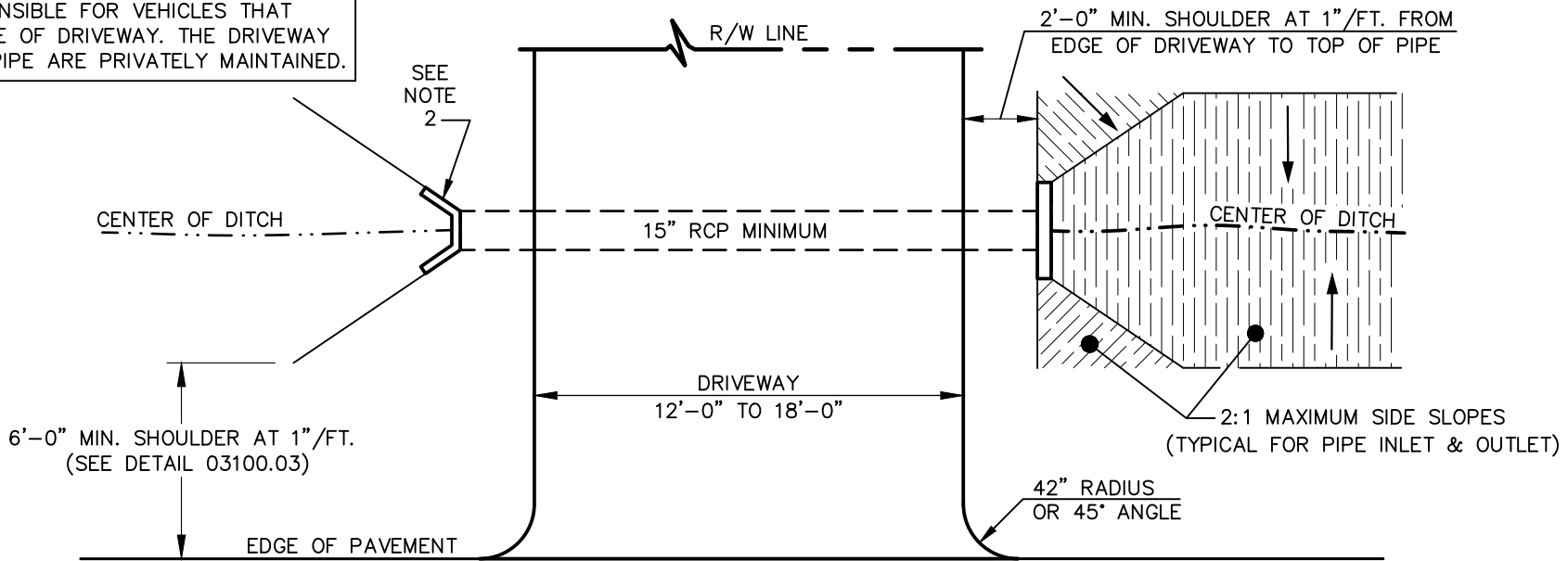
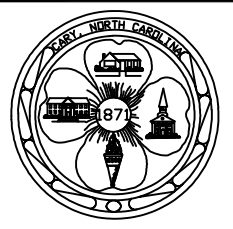


PROFILE VIEW

- NOTES:**
1. PIPE SHALL BE SIZED BY ENGINEER.
 2. HEADWALLS, ENDWALLS, OR FLARED END SECTIONS SHALL BE INSTALLED AT ENDS OF DRIVEWAY PIPE.
 3. DRIVEWAY TO BE 12 TO 18 FEET IN WIDTH.
 4. BACKFILL PIPE TRENCH TO 95% COMPACTION PER **AASHTO** METHOD T99 AND **TOC** STANDARD 5020.
 5. CARY IS NOT RESPONSIBLE FOR VEHICLES THAT DRAG DUE TO GRADE OF DRIVEWAY. THE DRIVEWAY AND STORM DRAIN PIPE ARE PRIVATELY MAINTAINED.



PLAN VIEW



EFFECTIVE: 07/01/21

STANDARD RESIDENTIAL DRIVEWAY APRON WITHOUT CURB & GUTTER

DETAIL No.

3200.04