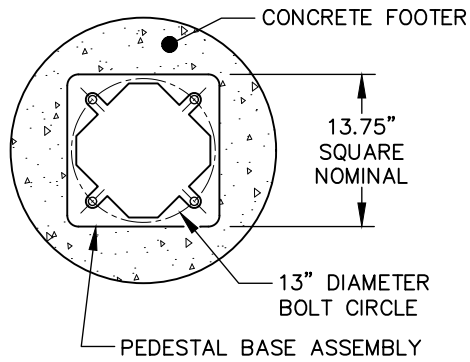


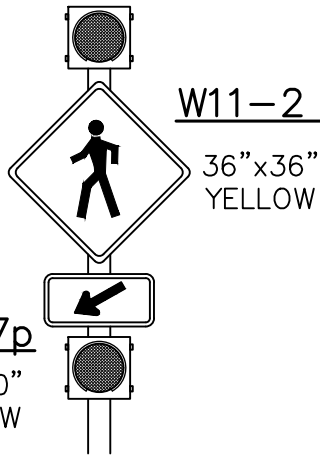
BASE PLATE DETAIL

(PLAN VIEW)



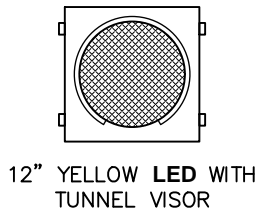
SIGN DETAIL

(FRONT VIEW)



SIGNAL HEAD DETAIL

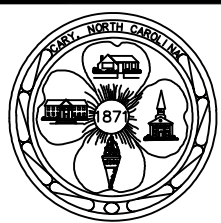
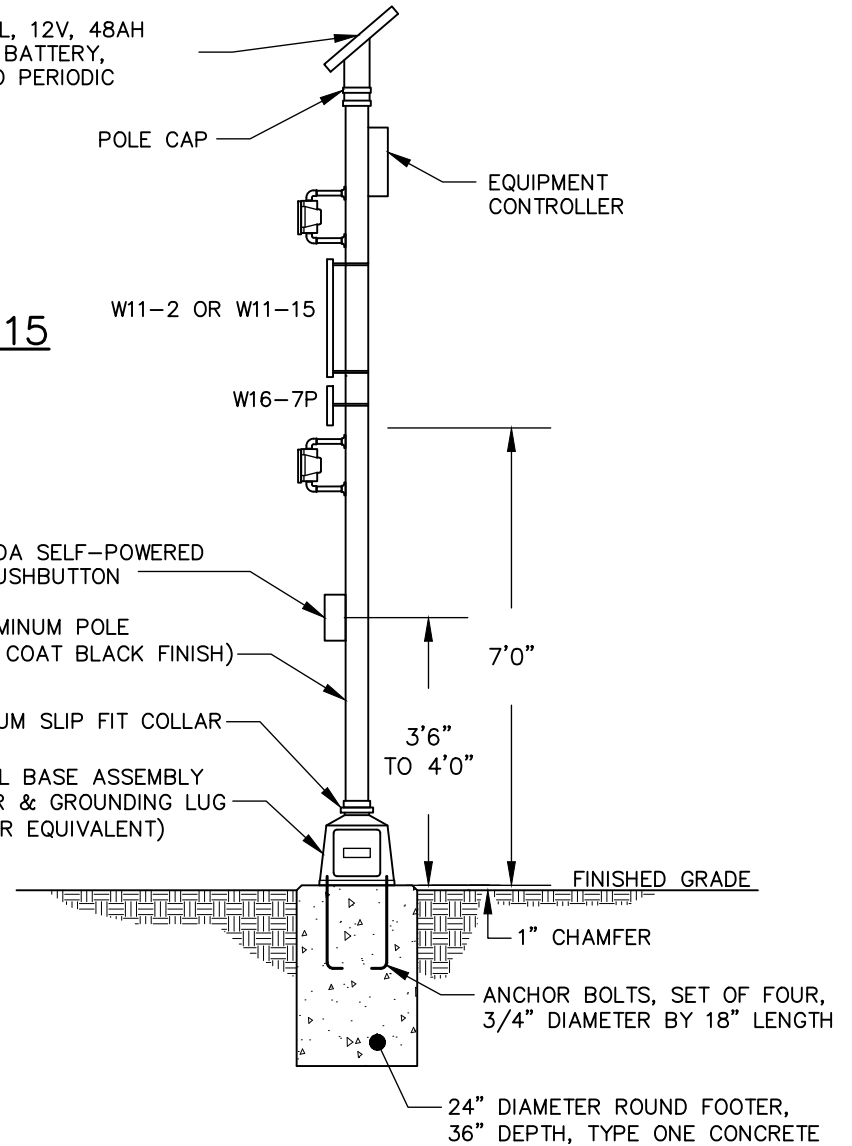
(FRONT VIEW)



NOTES:

1. TWO-SIDED OR ONE-SIDED DEPENDING ON LOCATION
2. FLASH 1X PER SECOND
3. WIRELESSLY LINKED TO OTHER BEACONS (900 MHZ RADIO SYSTEM)

SOLAR PANEL, 12V, 48AH SEALED GEL BATTERY, REQUIRES NO PERIODIC WATERING



EFFECTIVE: 07/01/21

PEDESTRIAN BEACON ASSEMBLY

DETAIL No.

3400.09