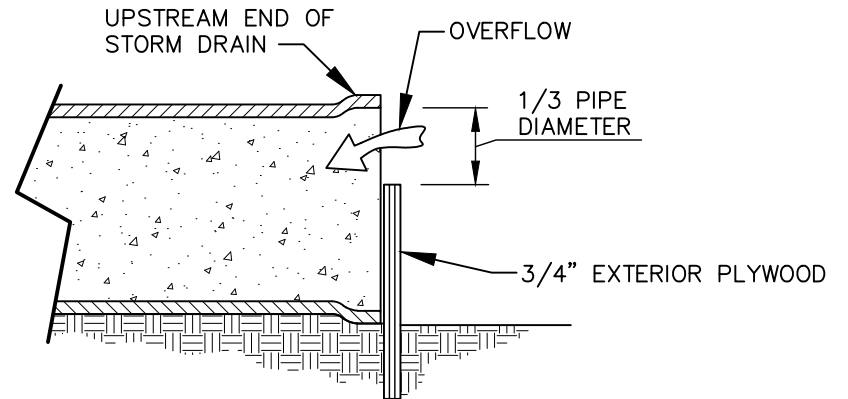
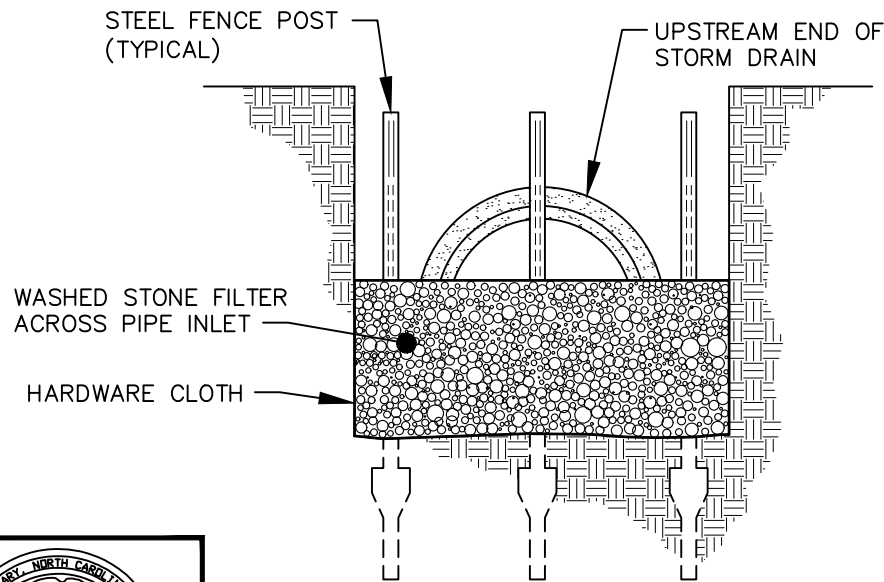


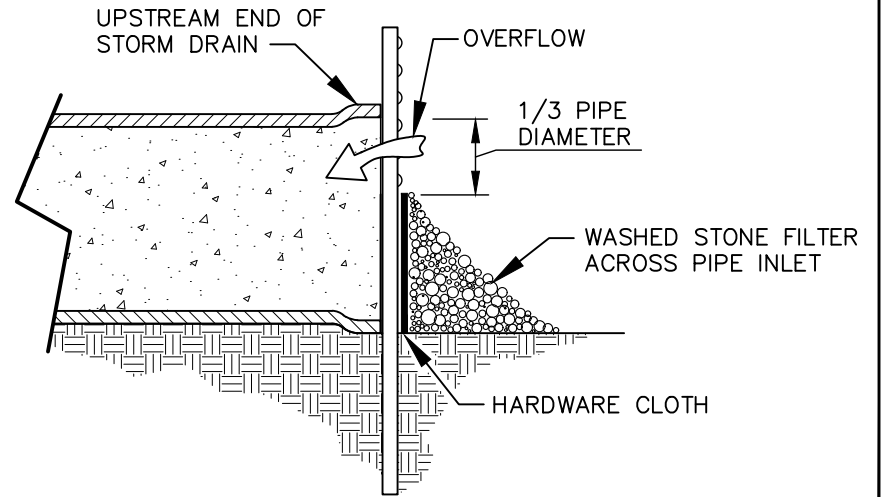
PLYWOOD INLET PROTECTION



NOTE:
 ALL PARTIALLY COMPLETED STORM DRAINS, UP TO 24 INCH PIPE SIZE, SHALL BE PROTECTED AT THE END OF EACH DAY IN ACCORDANCE WITH THESE DETAILS.



STONE FILTER INLET PROTECTION



STANDARD PIPE INLET PROTECTION (PLYWOOD & STONE)

EFFECTIVE: 07/01/21

DETAIL No.

4000.12