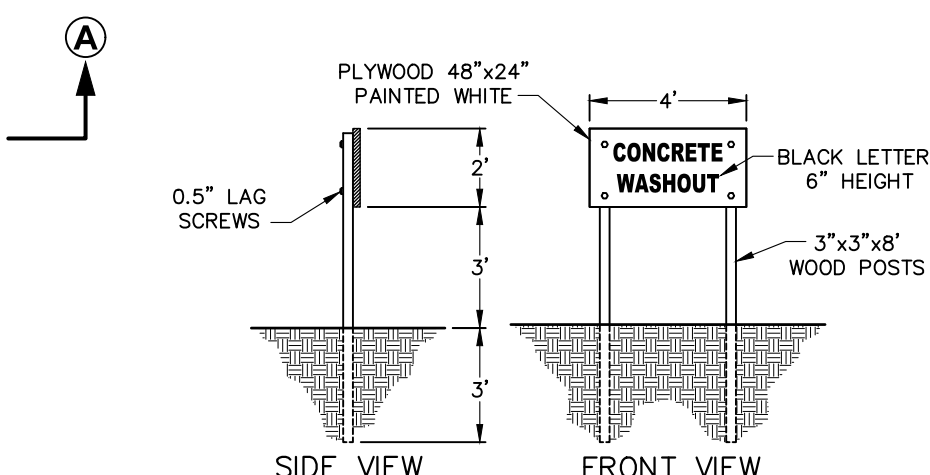
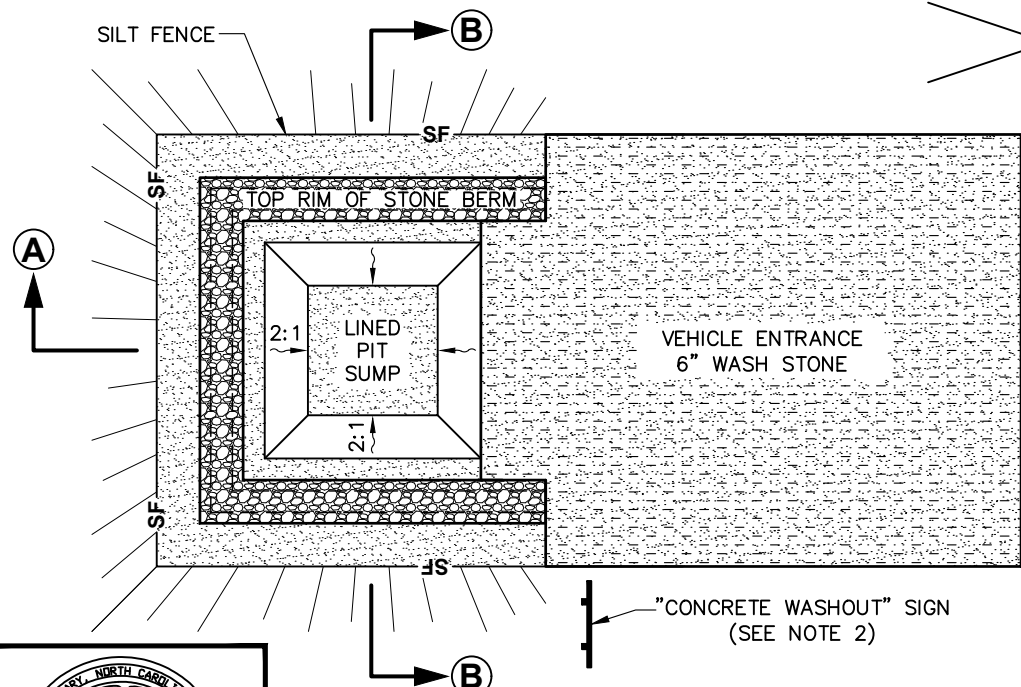
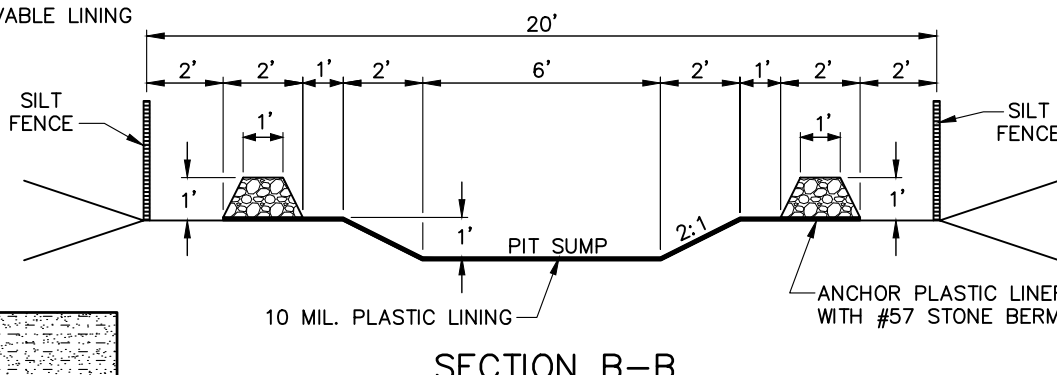


- NOTES:**
1. ACTUAL LAYOUT TO BE DETERMINED IN FIELD.
 2. THE "CONCRETE WASHOUT" SIGN SHALL BE INSTALLED WITHIN 30 FEET OF THE TEMPORARY CONCRETE WASHOUT FACILITY.
 3. PIT CAPACITY IS MINIMUM OF 6 CUBIC FEET PER 10 CUBIC YARDS OF CONCRETE.



EFFECTIVE: 07/01/21

CONCRETE WASHOUT PIT

DETAIL No.
4000.29