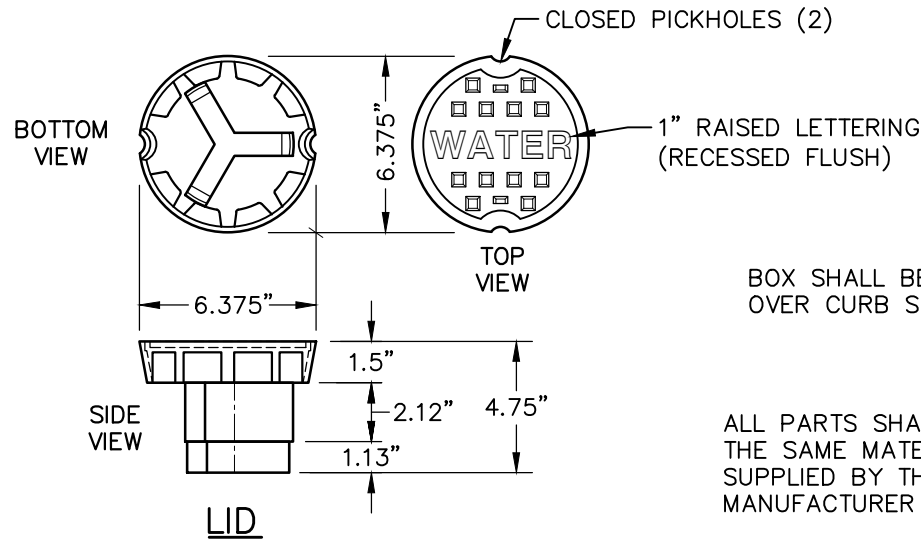
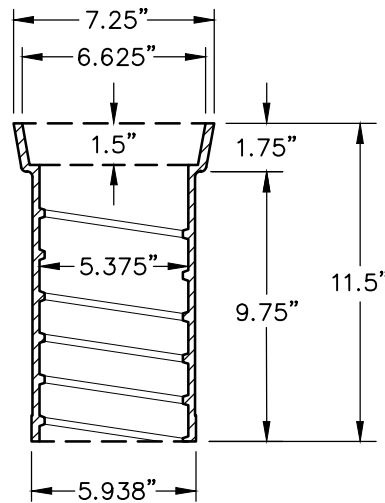


BOTTOM SECTION



LID

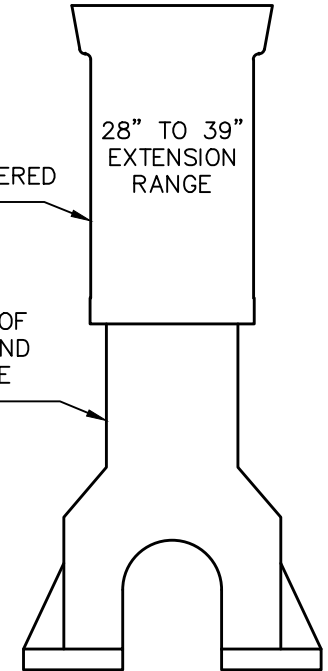


TOP SECTION

BOX SHALL BE CENTERED OVER CURB STOP

ALL PARTS SHALL BE OF THE SAME MATERIAL AND SUPPLIED BY THE SAME MANUFACTURER

28" TO 39" EXTENSION RANGE



COMPLETE BOX

WEIGHT	
BOTTOM	29
TOP	16
LID	25
TOTAL	70

NOTES:

1. CURB STOP BOXES SHALL ONLY BE USED AS SPECIFIED ON DETAIL DRAWINGS 6000.06 AND 6000.32.
2. MOUSE HOLES SHALL BE COVERED WITH FILTER FABRIC PRIOR TO BACKFILLING.
3. ENTIRE VALVE BOX ASSEMBLY & COVER SHALL BE CAST FROM CLASS 35 GRAY IRON.
4. ASSEMBLY SHALL BE DOMESTICALLY MADE AND MANUFACTURED IN THE U.S.A.



EFFECTIVE: 07/01/21

STANDARD WATER CURB STOP BOX

DETAIL No.

6000.13