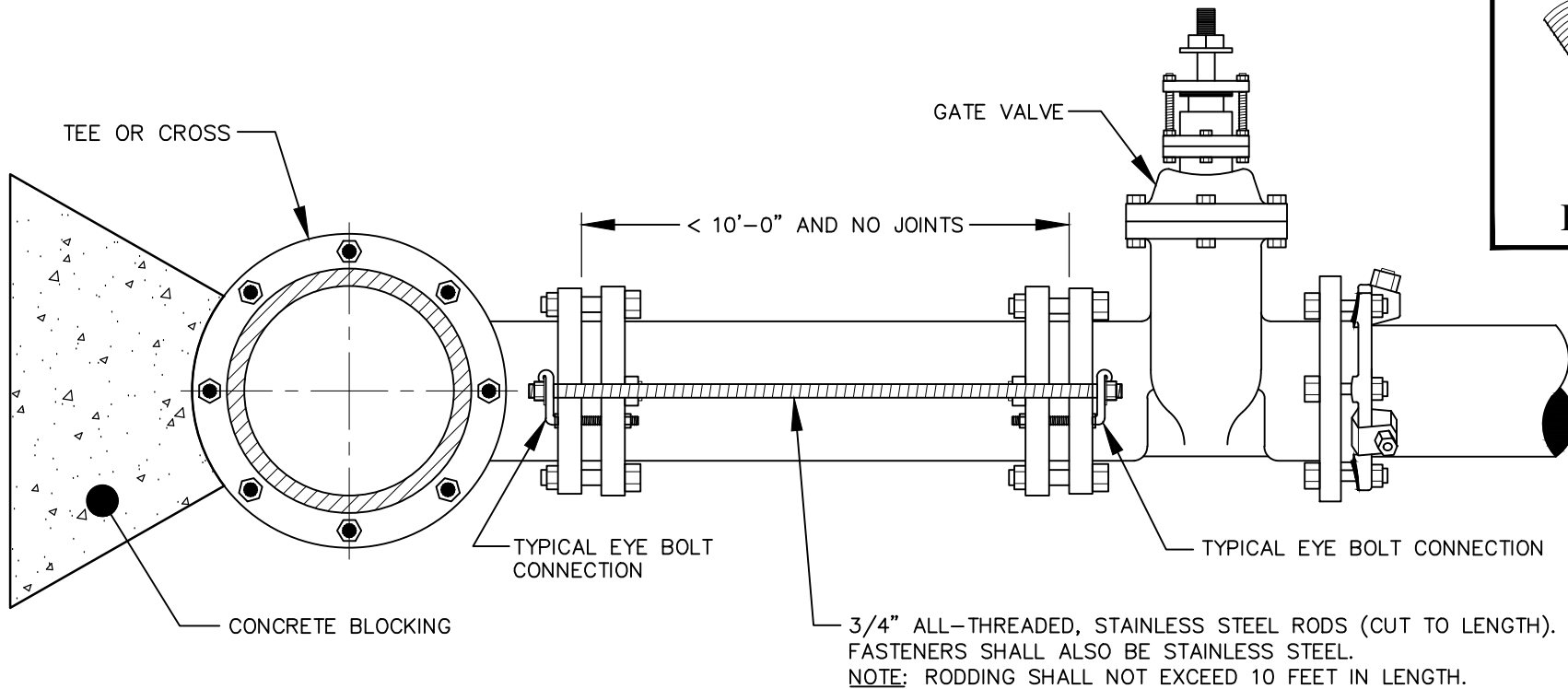


TYPICAL EYE BOLT



STAINLESS STEEL ROD REQUIREMENTS

<u>BRANCH SIZE</u>	<u>No. OF RODS</u>
4"	2
6"	2
8"	4
12"	6
16"	8

GENERAL NOTES:

1. SEE STANDARD THRUST BLOCK DETAIL.
2. CONCRETE SHALL NOT CONTACT BOLTS OR ENDS OF MECHANICAL FITTINGS.
3. RODS SHALL NOT BE COUPLED.

STANDARD VALVE RESTRAINT WITH RODDING
AT A TEE OR CROSS UP TO 16" IN DIAMETER

DETAIL No.

6000.14



EFFECTIVE: 07/01/21