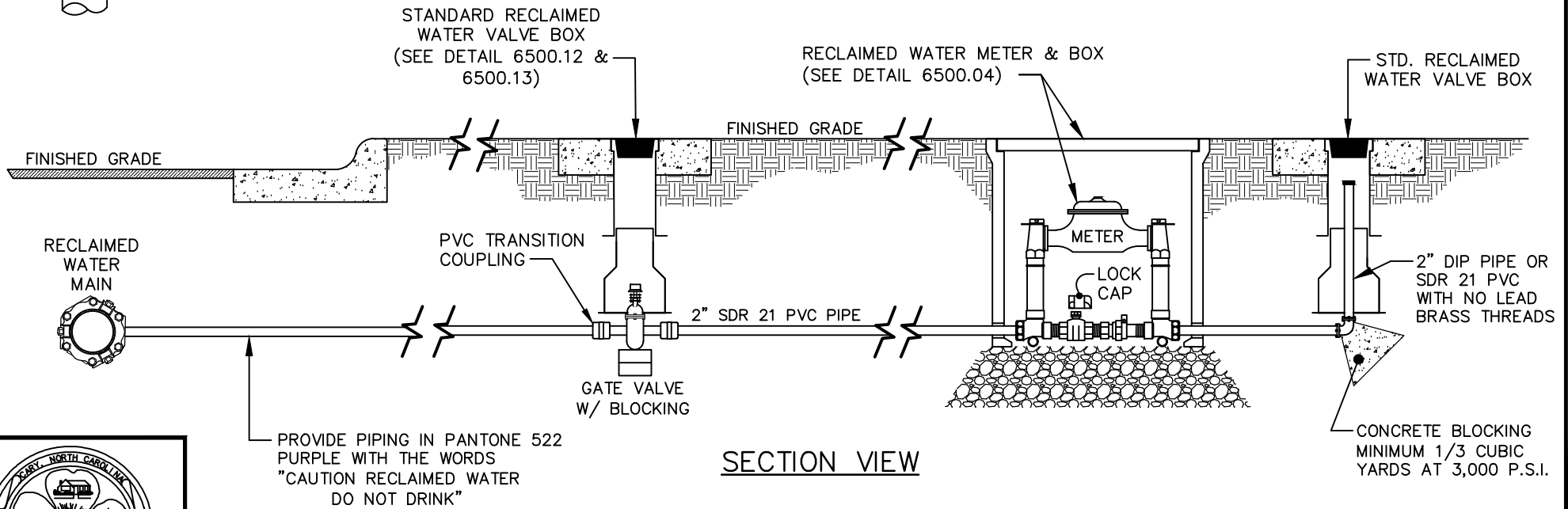


PLAN VIEW



SECTION VIEW

STANDARD RECLAIMED WATER BLOW-OFF ASSEMBLY, TYPE 1
(SURFACE DISCHARGE)

DETAIL No.

6500.08



EFFECTIVE: 07/01/21