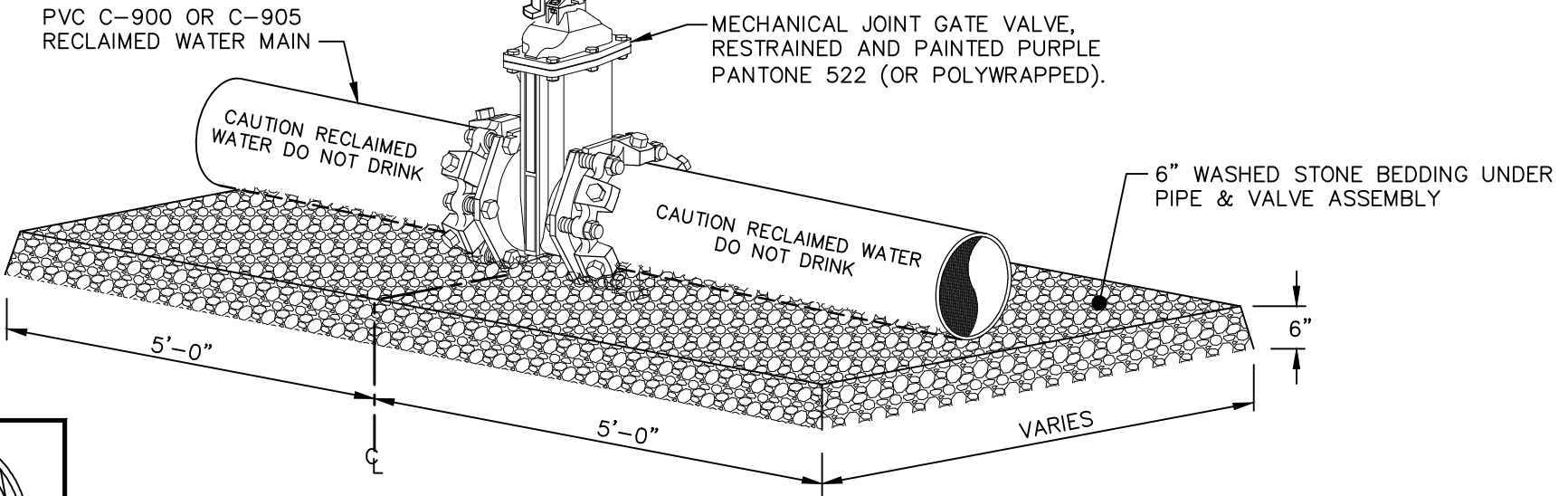


**NOTES:**

1. VALVE OPERATOR EXTENSION SHALL BE INSTALLED IN ALL CASES WHERE THE VALVE OPERATOR IS GREATER THAN 6-FT DEPTH FROM THE SURFACE.
2. SPUR GEAR OPERATOR REQUIRED FOR GATE VALVES  $\geq 18$  INCHES.



EFFECTIVE: 07/01/21

**RESILIENT WEDGE GATE VALVE ASSEMBLY FOR RECLAIMED WATER  
(VERTICAL INSTALLATIONS)**

DETAIL No.  
6500.14