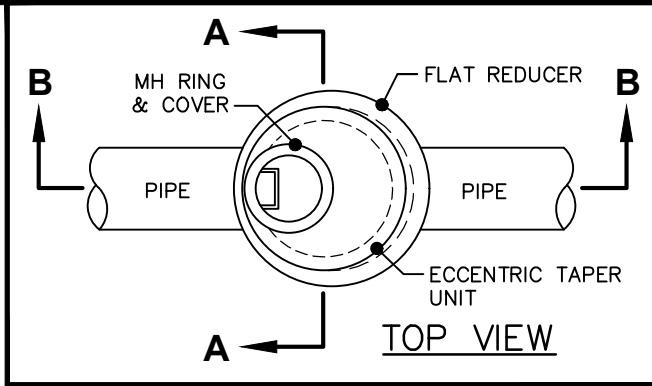


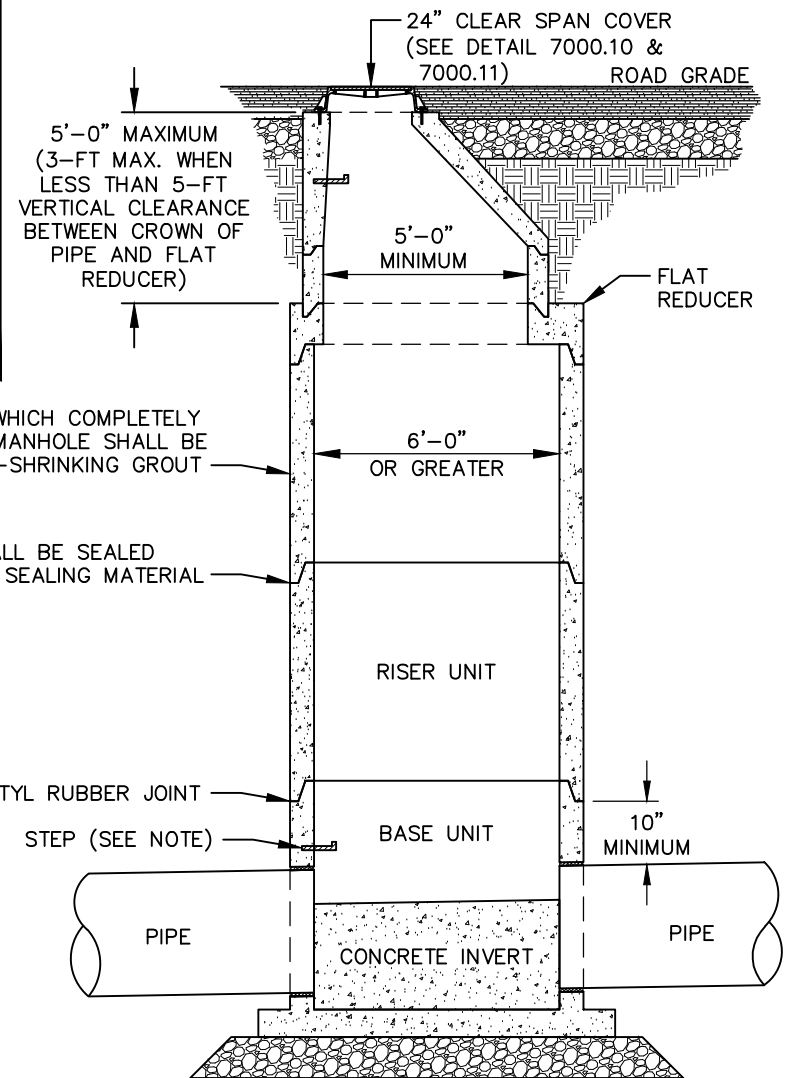
SECTION A-A



TOP VIEW

ALL LIFT HOLES WHICH COMPLETELY PENETRATE THE MANHOLE SHALL BE FILLED WITH NON-SHRINKING GROUT

ALL EXTERNAL JOINTS SHALL BE SEALED WITH AN APPROVED JOINT SEALING MATERIAL



SECTION B-B

NOTES:

1. ALL MANHOLE CONNECTIONS SHALL BE PREFABRICATED OR CORED WITH A CONCRETE CORING MACHINE.
2. ALL MANHOLES SHALL BE VACUUM TESTED.
3. EXTENDED BASE REQUIRED FOR ALL MANHOLES WITH MORE THAN 12-FT DEPTH OF BURY.
4. PROVIDE A MINIMUM 0.1 FOOT IN-OUT DROP FOR STRAIGHT RUNS AND 0.2 FOOT IN-OUT DROP FOR ANGLE RUNS.
5. PROVIDE ONLY FIRST AND LAST STEP IN MANHOLE.

STANDARD PRECAST CONCRETE MANHOLE  
6-FT DIAMETER OR LARGER FOR PAVED AREAS

DETAIL No.

7000.03



EFFECTIVE: 07/01/21