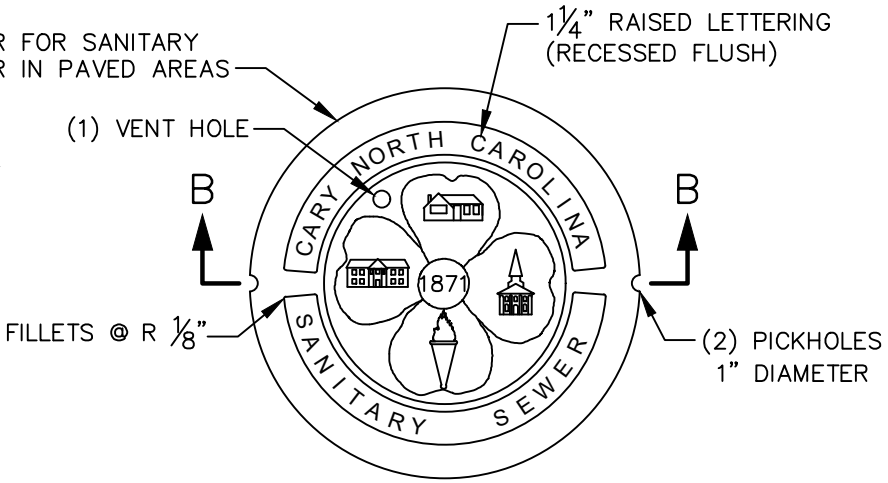
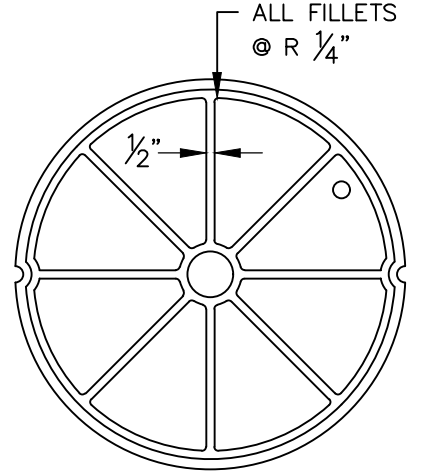


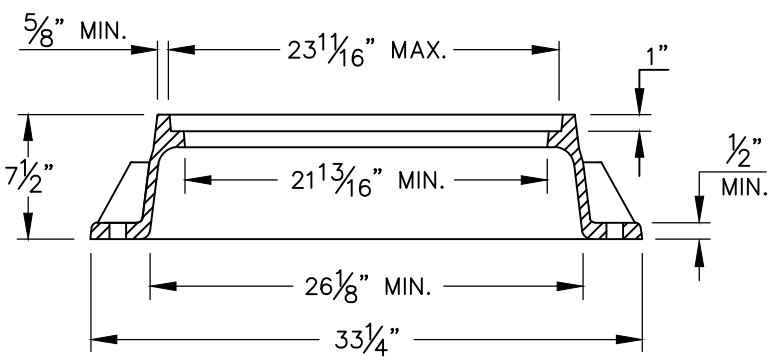
RING TOP VIEW



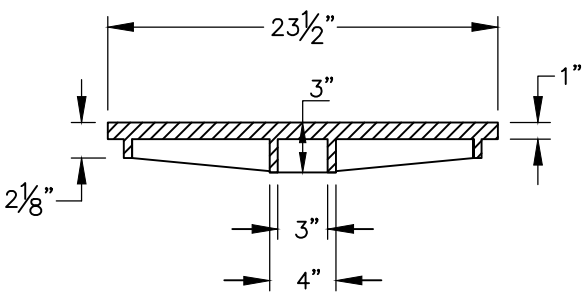
COVER TOP VIEW



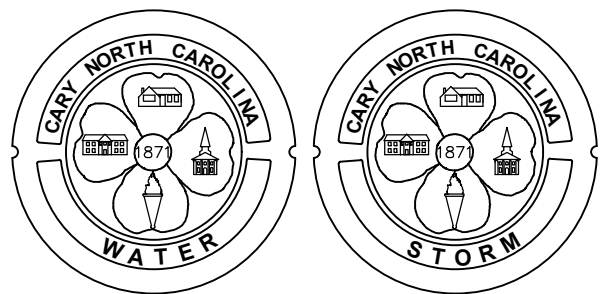
COVER BOTTOM VIEW



SECTION "A-A"



SECTION "B-B"



ALTERNATE LETTERING

- SPECIFICATIONS:**
1. CLASS 35 GRAY IRON.
  2. COMPLIES WITH ASTM A48 CL35B.
  3. ALL LETTERING SHALL BE CLEAN, CRISP, AND CLEARLY LEGIBLE.
  4. DOMESTICALLY MADE & MANUFACTURED IN THE USA.

MINIMUM WEIGHTS	
RING	180
COVER	125
TOTAL	305

EFFECTIVE: 07/01/21

**STANDARD MANHOLE RING AND COVER**  
 (TYPE 1 FOR PAVED AND UNPAVED AREAS WITHIN THE RIGHT-OF-WAY)

DETAIL No.  
 7000.07