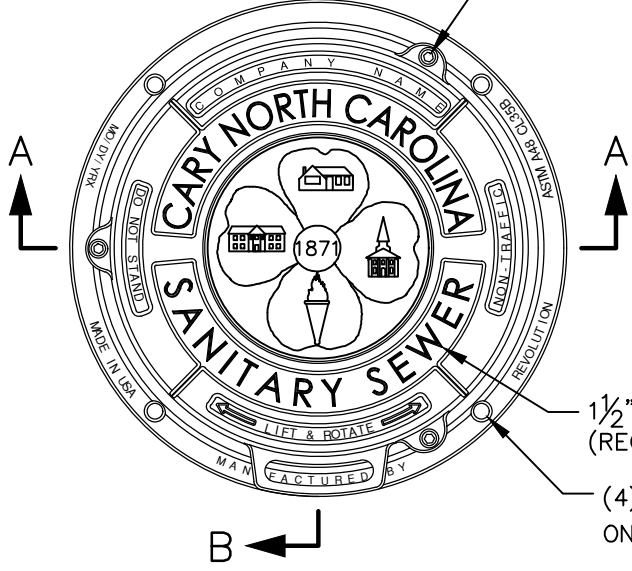


(3) HEX HEAD  $\frac{3}{8}$ "-16  
ZINC PLATED BOLT WITH ZINC WASHER  
& ZINC COATED STAINLESS STEEL NUT



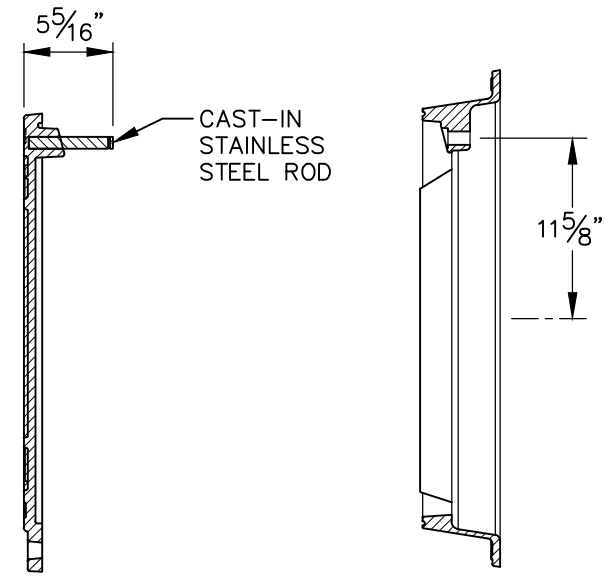
**SPECIFICATIONS:**

1. GRAY IRON.
2. COMPLIES WITH ASTM A48 CL35B.
3. ALL LETTERING SHALL BE CLEAN, CRISP, AND CLEARLY LEGIBLE.
4. DOMESTICALLY MADE AND MANUFACTURED IN THE USA.

$1\frac{1}{2}$ " RAISED LETTERING  
(RECESSED FLUSH)

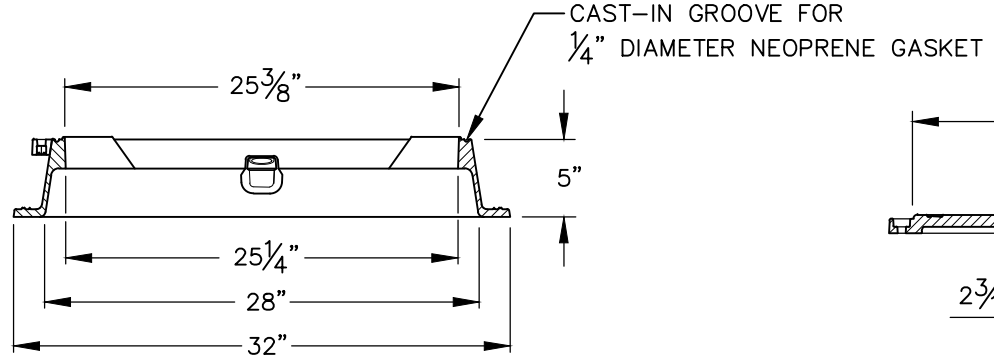
(4) 1" DIA. HANDLING HOLES  
ON A  $29\frac{3}{4}$ " DIA. B.C.

COVER TOP VIEW

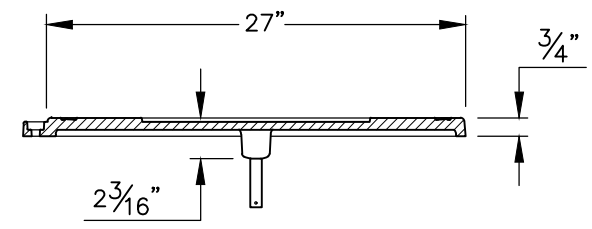


COVER SECTION B-B

FRAME SECTION B-B



FRAME SECTION A-A



COVER SECTION A-A



**STANDARD MANHOLE RING AND COVER  
(TYPE 2A FOR OUTFALLS - WATERTIGHT APPLICATIONS)**

DETAIL No.  
7000.08