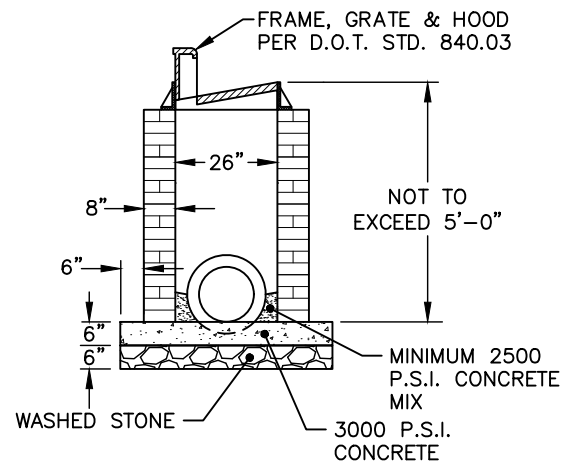
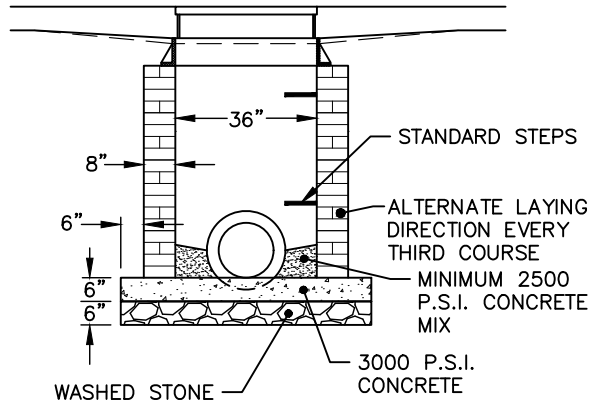


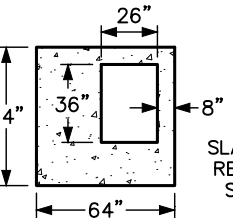
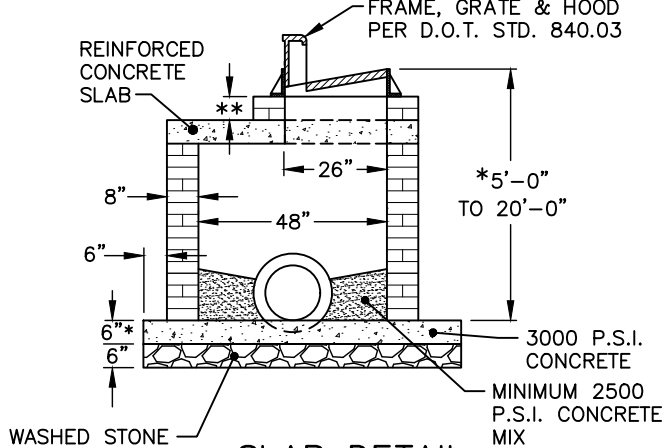
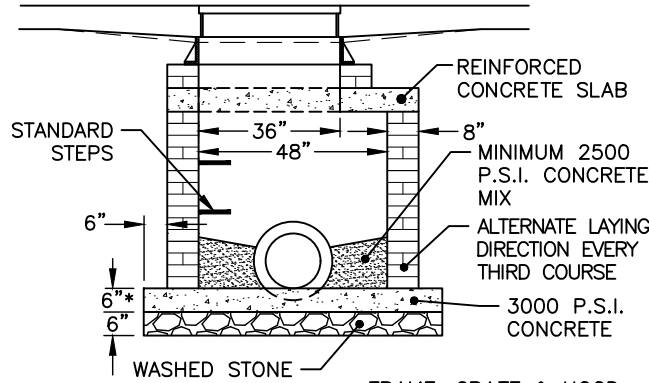
SHALLOW TYPE

(5 FEET OR LESS IN DEPTH)



INTERMEDIATE TYPE (4'X4')

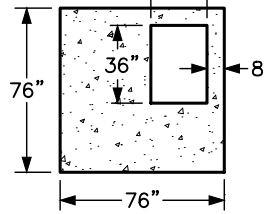
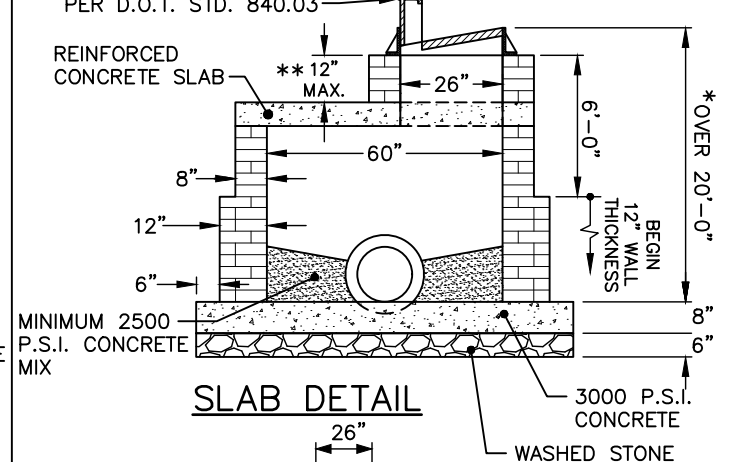
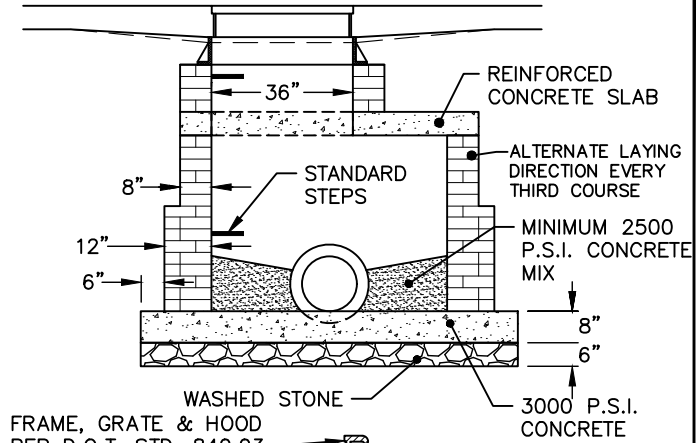
(5 FEET TO 20 FEET IN DEPTH)



SLAB THICKNESS AND REINFORCEMENT FOR SOIL AND TRAFFIC LOADING BY AN ENGINEER

DEEP TYPE (5'X5')

(OVER 20 FEET IN DEPTH)



SLAB THICKNESS AND REINFORCEMENT FOR SOIL AND TRAFFIC LOADING BY AN ENGINEER

NOTE: TOP AND BOTTOM STEPS REQUIRED.

* OVER 8' IN DEPTH, 12" WALL THICKNESS TO 6' FROM TOP OF WALL, AND 8" BOTTOM SLAB SHALL BE USED.

** MAY BE USED TO ADJUST FRAME, GRATE & HOOD TO SURFACE ELEVATION A MAXIMUM OF 12 INCHES.



EFFECTIVE: 07/01/21

STANDARD CONCRETE BLOCK OR BRICK CATCH BASIN

DETAIL No.

8000.03