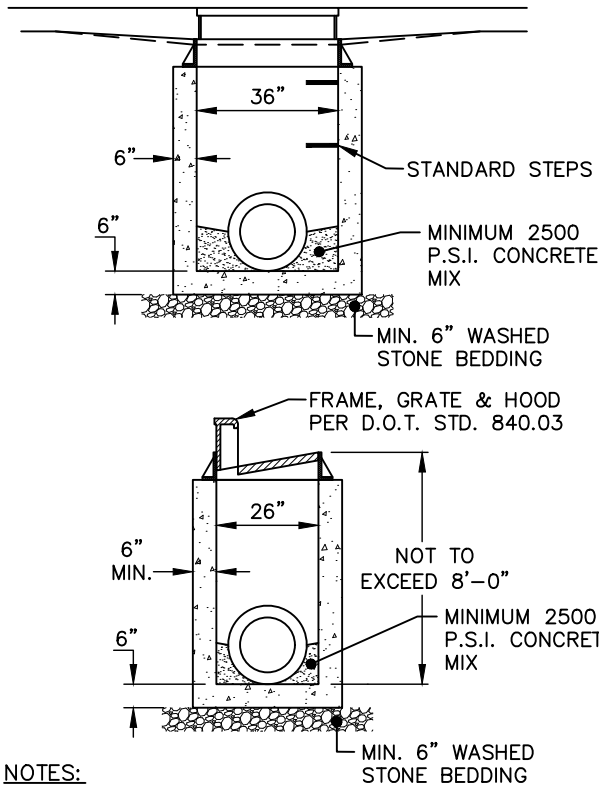


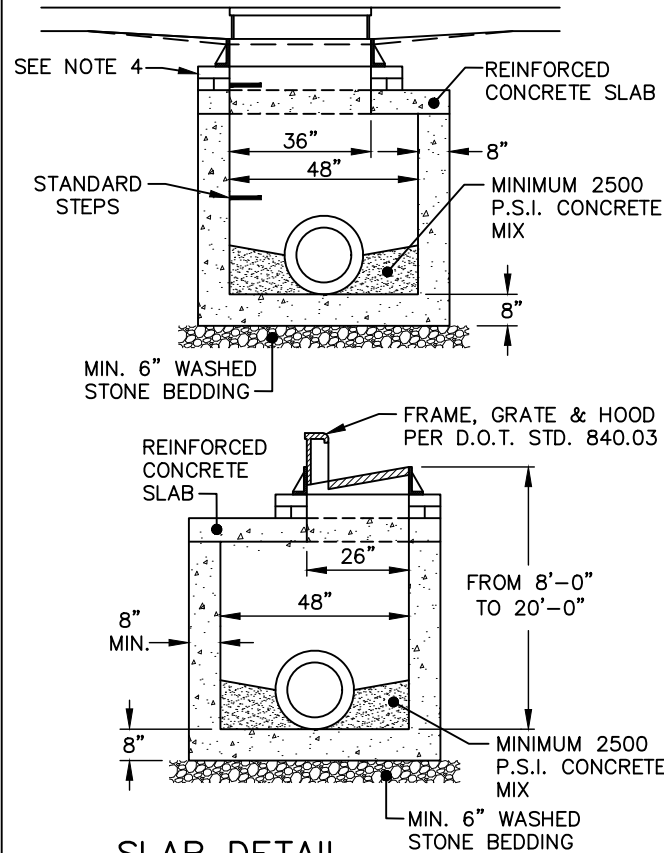
**SHALLOW TYPE**  
(8 FEET OR LESS IN DEPTH)



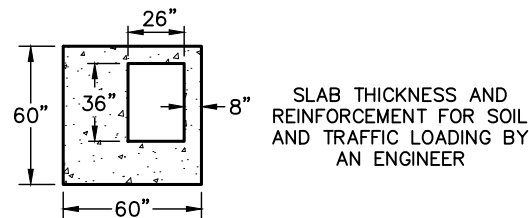
**NOTES:**

1. CONCRETE SHALL BE 4,000 P.S.I. MINIMUM FOR ALL PRECAST CONCRETE CATCH BASINS.
2. PRECAST CONCRETE STRUCTURES MAY ONLY BE INSTALLED TO DEPTHS CERTIFIED AS ACCEPTABLE BY THE MANUFACTURER.
3. "WAFFLE" BOXES ARE ACCEPTABLE FOR SHALLOW TYPE CATCH BASINS.
4. TOP AND BOTTOM STEPS REQUIRED.
5. BRICK MAY BE USED TO ADJUST FRAME, GRATE & HOOD TO SURFACE ELEVATION A MAXIMUM OF 12 INCHES.

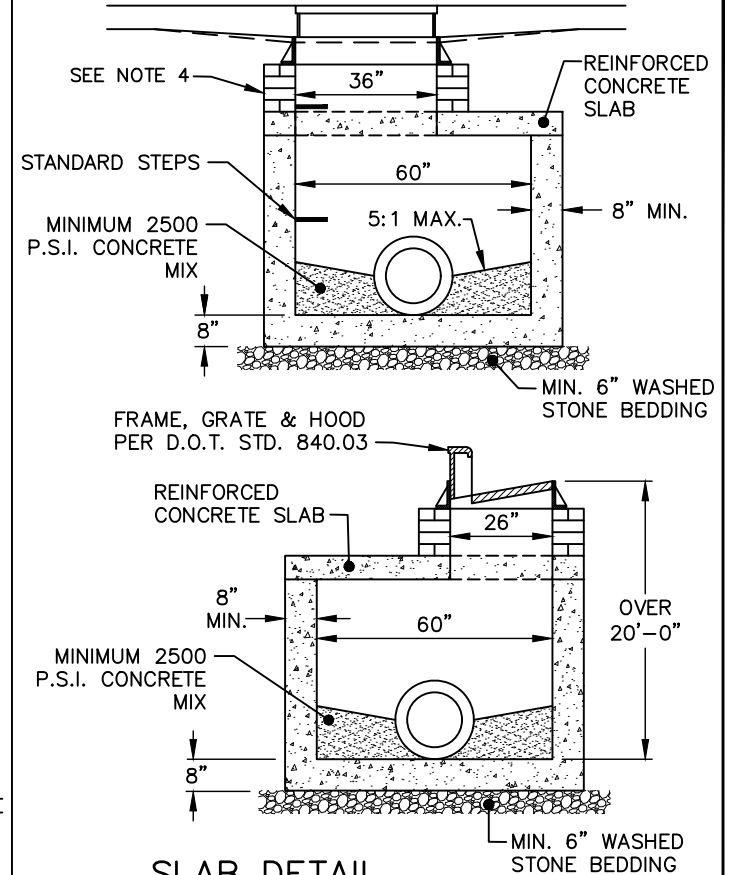
**INTERMEDIATE TYPE (4'X4')**  
(8 FEET TO 20 FEET IN DEPTH)



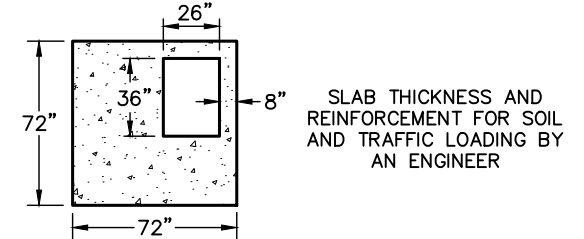
**SLAB DETAIL**



**DEEP TYPE (5'X5')**  
(OVER 20 FEET IN DEPTH)



**SLAB DETAIL**



EFFECTIVE: 07/01/21

STANDARD PRECAST CONCRETE CATCH BASIN

DETAIL No.

8000.04