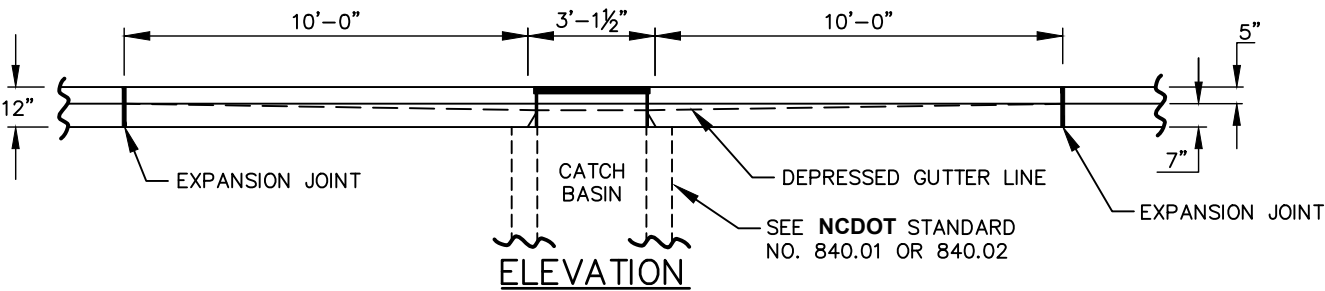
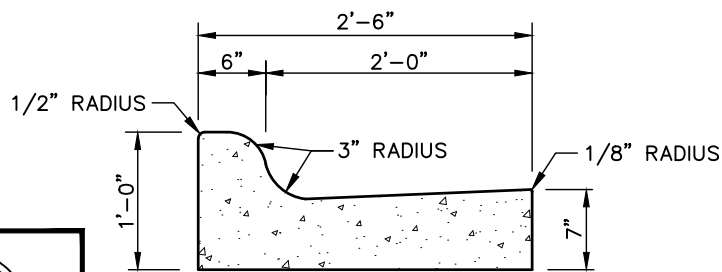


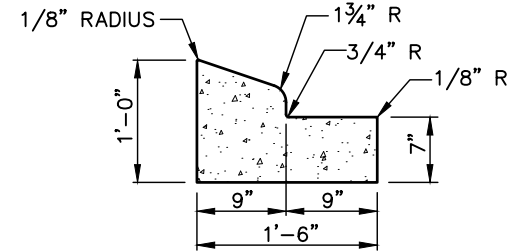
PLAN VIEW



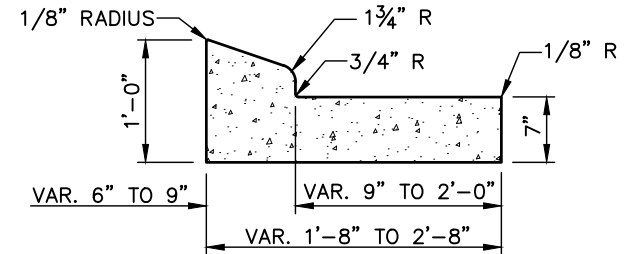
ELEVATION



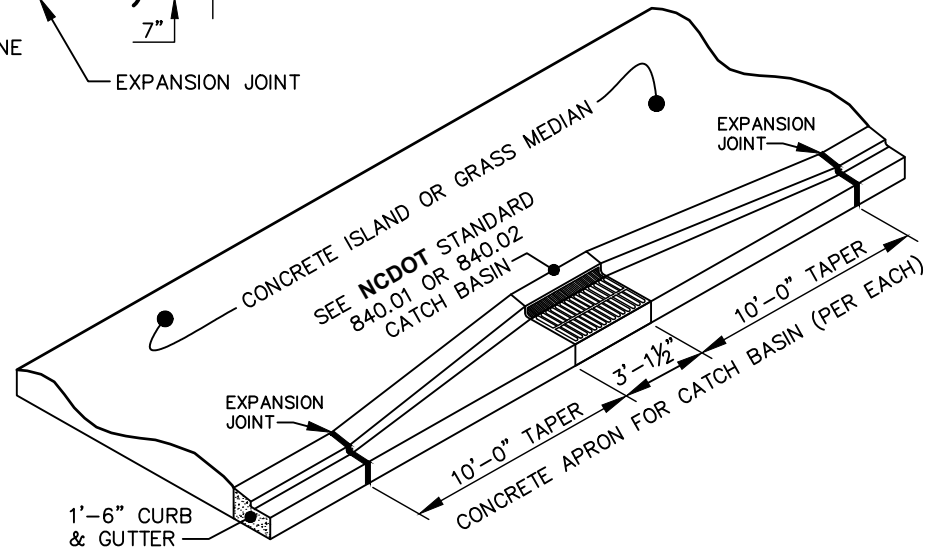
SECTION "C-C"



SECTION "A-A"



SECTION "B-B"



STANDARD MEDIAN CURB FOR CATCH BASIN
(FOR USE WITH 1'-6" CURB & GUTTER)

DETAIL No.

8000.05



EFFECTIVE: 07/01/21