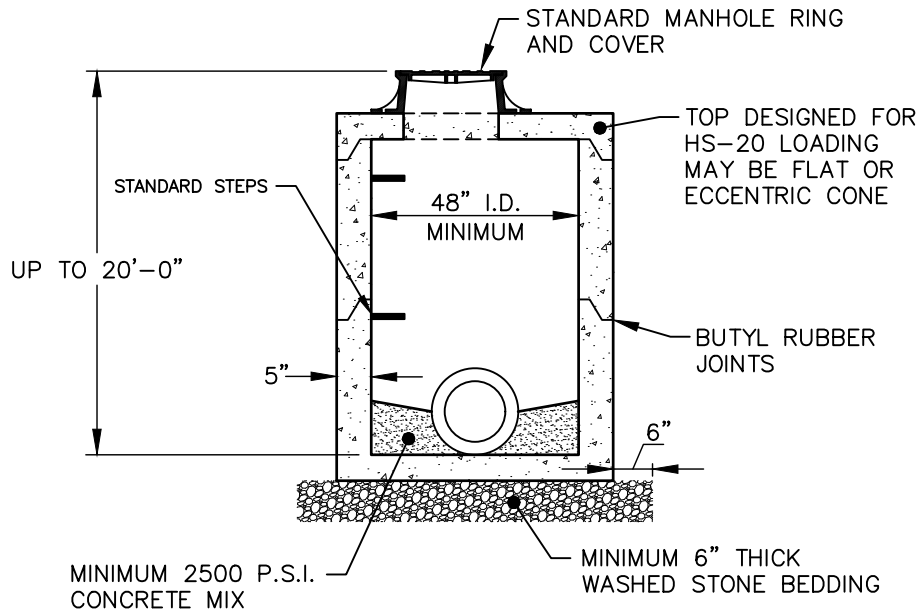
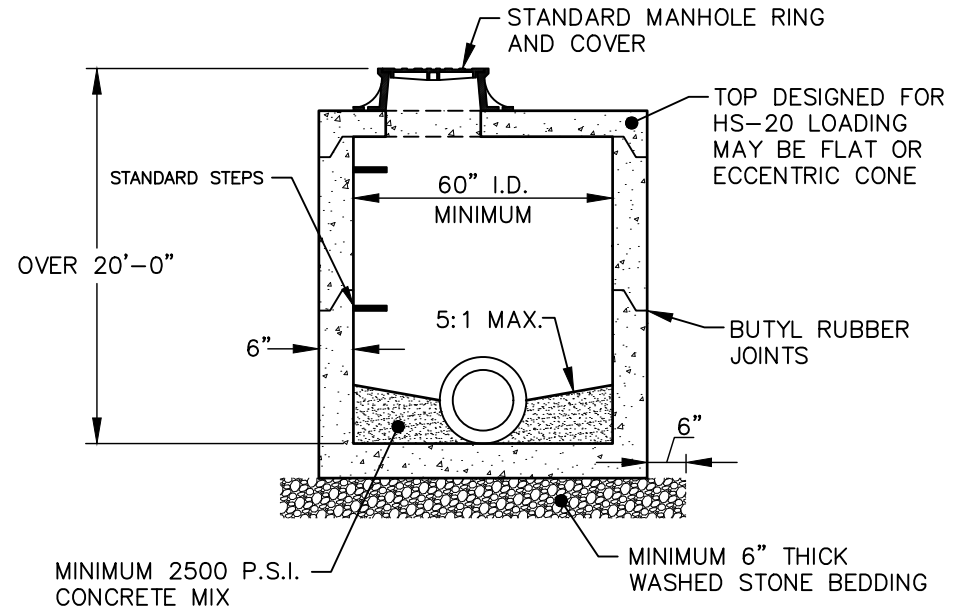


**STANDARD TYPE**  
(UP TO 20 FEET IN DEPTH)



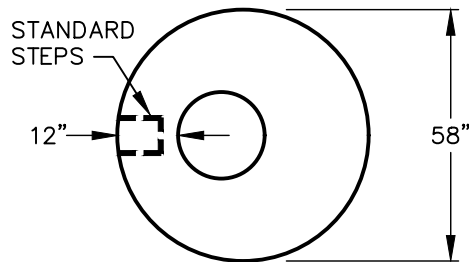
**DEEP TYPE**  
(OVER 20 FEET IN DEPTH)



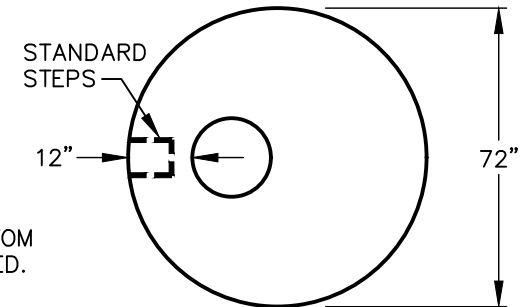
**NOTE:**

TOP AND BOTTOM  
STEPS REQUIRED.

**FLAT TOP DETAIL**



**FLAT TOP DETAIL**



**NOTE:**

TOP AND BOTTOM  
STEPS REQUIRED.



**STANDARD PRECAST CONCRETE MANHOLE JUNCTION BOX**

EFFECTIVE: 07/01/21

DETAIL No.

8000.06