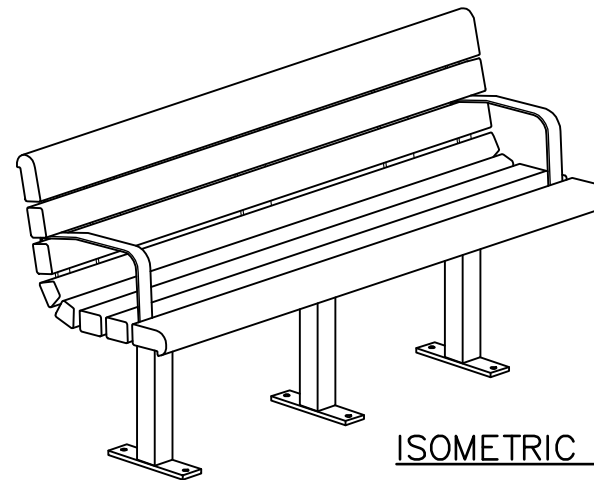


NOTES:

1. ALL STEEL MEMBERS COATED W/ ZINC RICH EPOXY THEN FINISHED WITH BLACK POLYESTER POWDER COATING.
2. DuMor PRODUCT OR EQUIVALENT.



EFFECTIVE: 07/01/21

STANDARD BENCH

DETAIL No.

9300.01