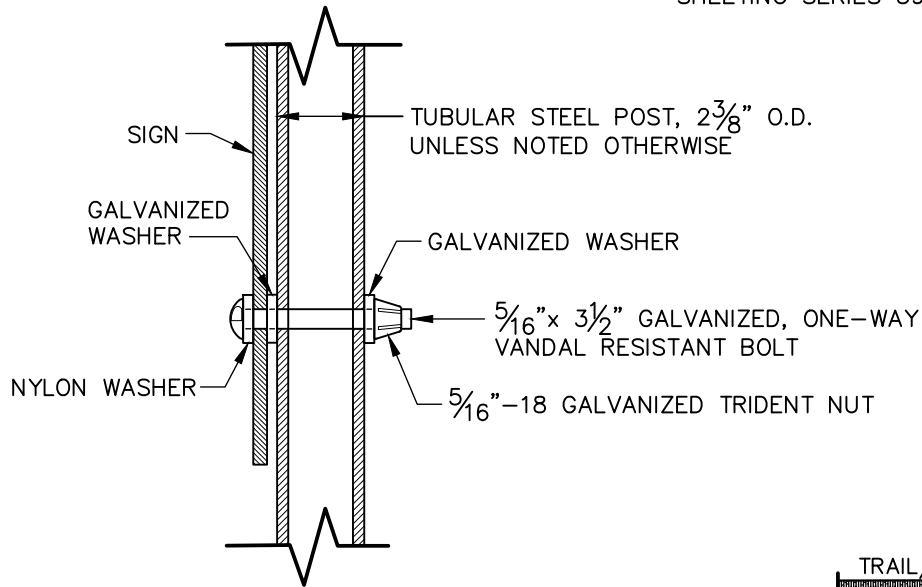
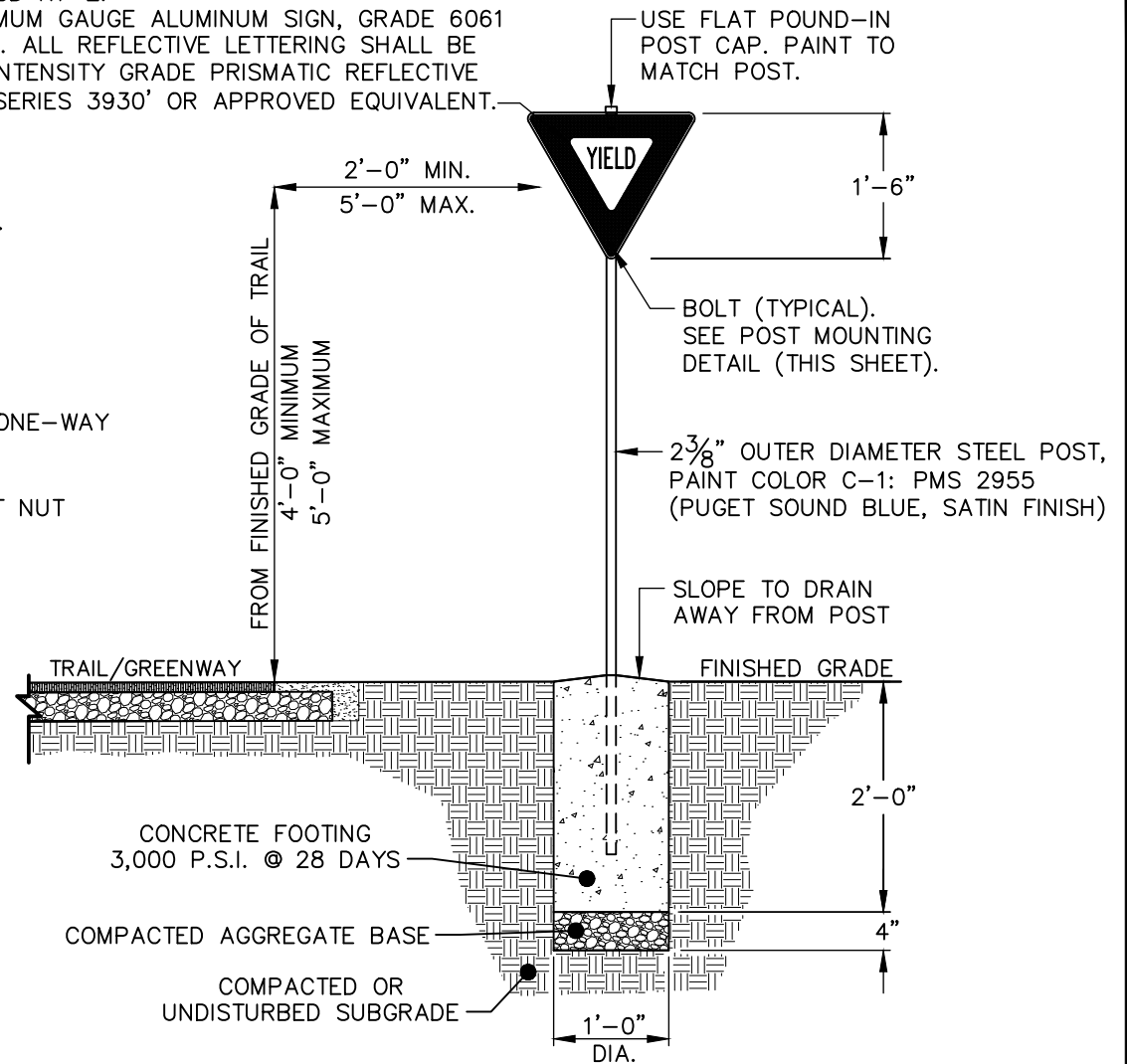


SIGN: MUTCD R1-2.
 0.125 MINIMUM GAUGE ALUMINUM SIGN, GRADE 6061
 OR BETTER. ALL REFLECTIVE LETTERING SHALL BE
 '3M HIGH INTENSITY GRADE PRISMATIC REFLECTIVE
 SHEETING SERIES 3930' OR APPROVED EQUIVALENT.



POST MOUNTING DETAIL

- NOTES:
1. COLOR CODE REFERENCE THE PANTONE MATCHING SYSTEM.
 2. ALL VISIBLE WELDS TO BE CONTINUOUS AND GROUND TO PROVIDE A SMOOTH SURFACE.
 3. SIGN SHALL MEET CURRENT **MUTCD** REQUIREMENTS FOR COLOR AND REFLECTION.



FRONT VIEW



EFFECTIVE: 07/01/21

STANDARD PUBLIC TRAIL SIGN: YIELD

DETAIL No.

9700.04