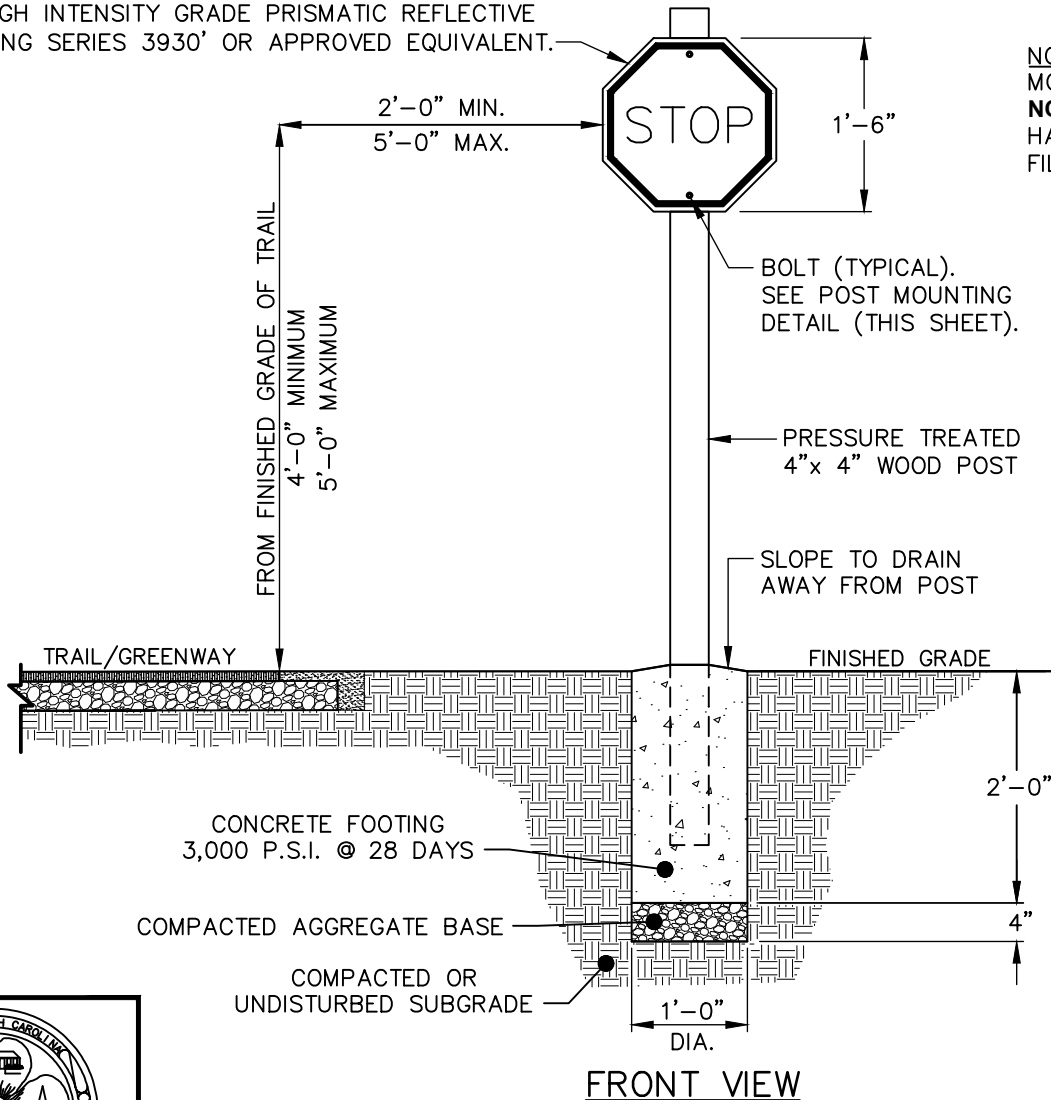
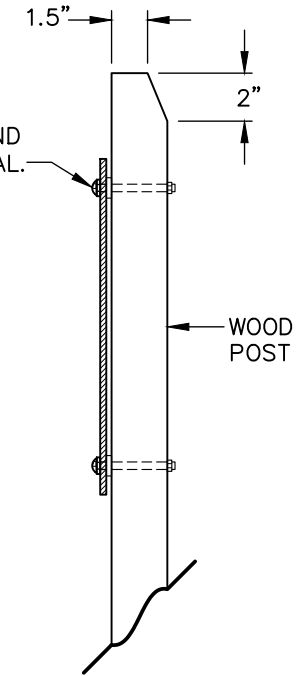


SIGN: MUTCD R1-1.  
 0.125 MINIMUM GAUGE ALUMINUM SIGN, GRADE 6061  
 OR BETTER. ALL REFLECTIVE LETTERING SHALL BE  
 '3M HIGH INTENSITY GRADE PRISMATIC REFLECTIVE  
 SHEETING SERIES 3930' OR APPROVED EQUIVALENT.



NOTE:  
 MOUNT SIGN ON WOOD POST TO  
**NCDOT** SPECIFICATIONS. ALL  
 HARDWARE TO BE GALVANIZED AND  
 FILED TO PREVENT THEFT/REMOVAL.



POST MOUNTING DETAIL

NOTE:  
 SIGN SHALL MEET CURRENT **MUTCD**  
 REQUIREMENTS FOR COLOR AND REFLECTION.



EFFECTIVE: 07/01/21

STANDARD PRIVATE TRAIL SIGN: STOP

DETAIL No.

9700.05