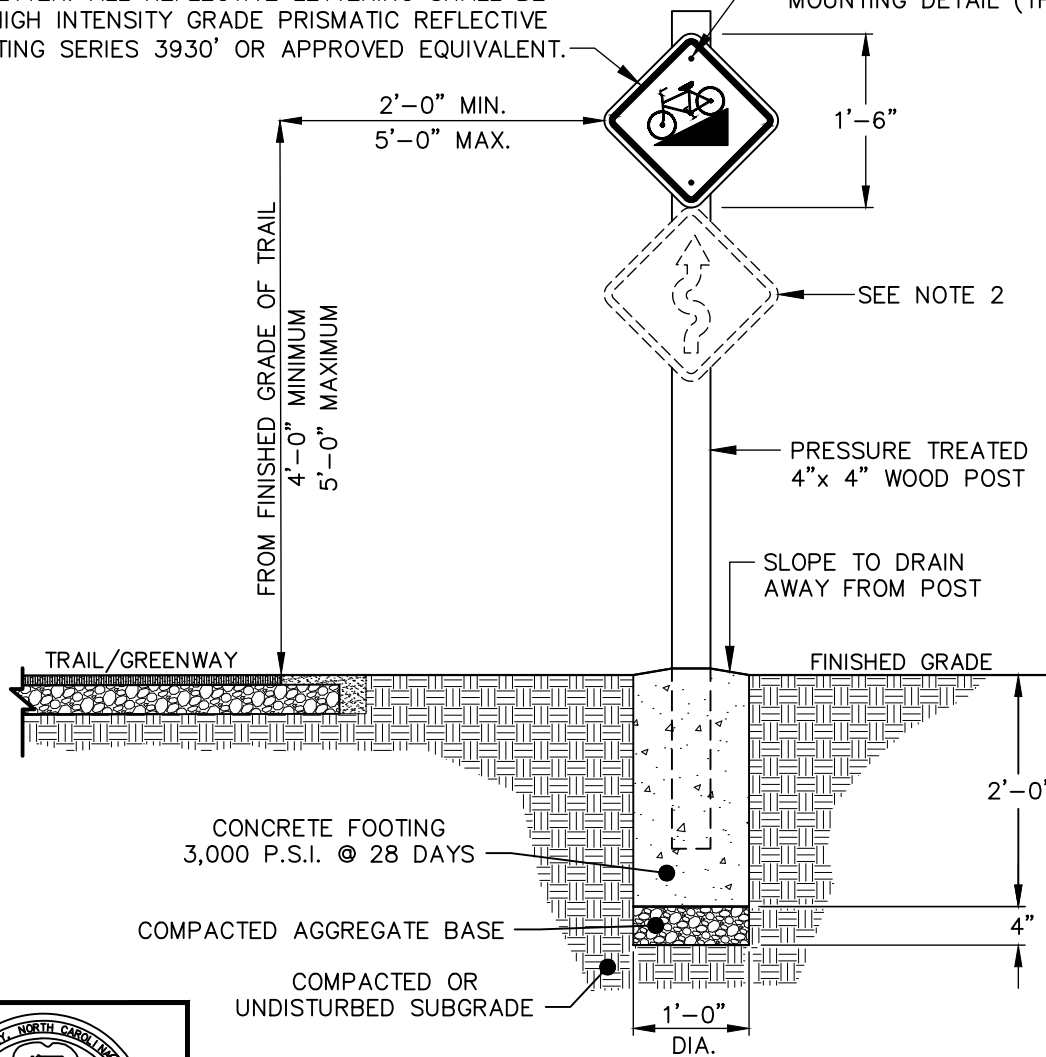


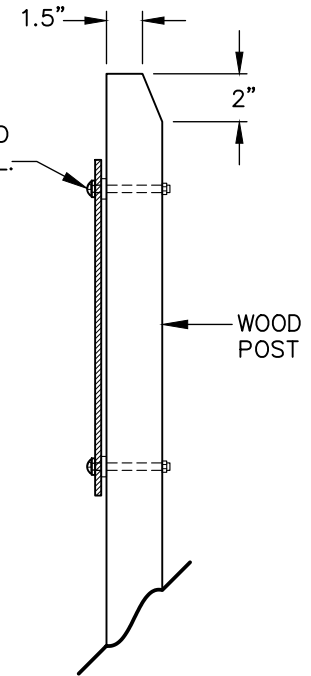
SIGN: MUTCD R1-1.
 0.125 MINIMUM GAUGE ALUMINUM SIGN, GRADE 6061
 OR BETTER. ALL REFLECTIVE LETTERING SHALL BE
 '3M HIGH INTENSITY GRADE PRISMATIC REFLECTIVE
 SHEETING SERIES 3930' OR APPROVED EQUIVALENT.

BOLT (TYPICAL). SEE POST
 MOUNTING DETAIL (THIS SHEET).



FRONT VIEW

MOUNT SIGN ON WOOD POST TO
NCDOT SPECIFICATIONS. ALL
 HARDWARE TO BE GALVANIZED AND
 FILED TO PREVENT THEFT/REMOVAL.



POST MOUNTING DETAIL

NOTES:

1. SIGN SHALL MEET CURRENT **MUTCD** REQUIREMENTS FOR COLOR AND REFLECTION.
2. IF **MUTCD** W1-5 SIGN FACE IS TO BE MOUNTED ON SAME POLE, STEEP SLOPE SIGN FACE SHALL BE MOUNTED PER HEIGHT SPECIFICATIONS AT RIGHT, AND CURVES AHEAD SIGN SHALL BE MOUNTED DIRECTLY BELOW.



STANDARD PRIVATE TRAIL SIGN: STEEP SLOPE

EFFECTIVE: 07/01/21

DETAIL No.

9700.06