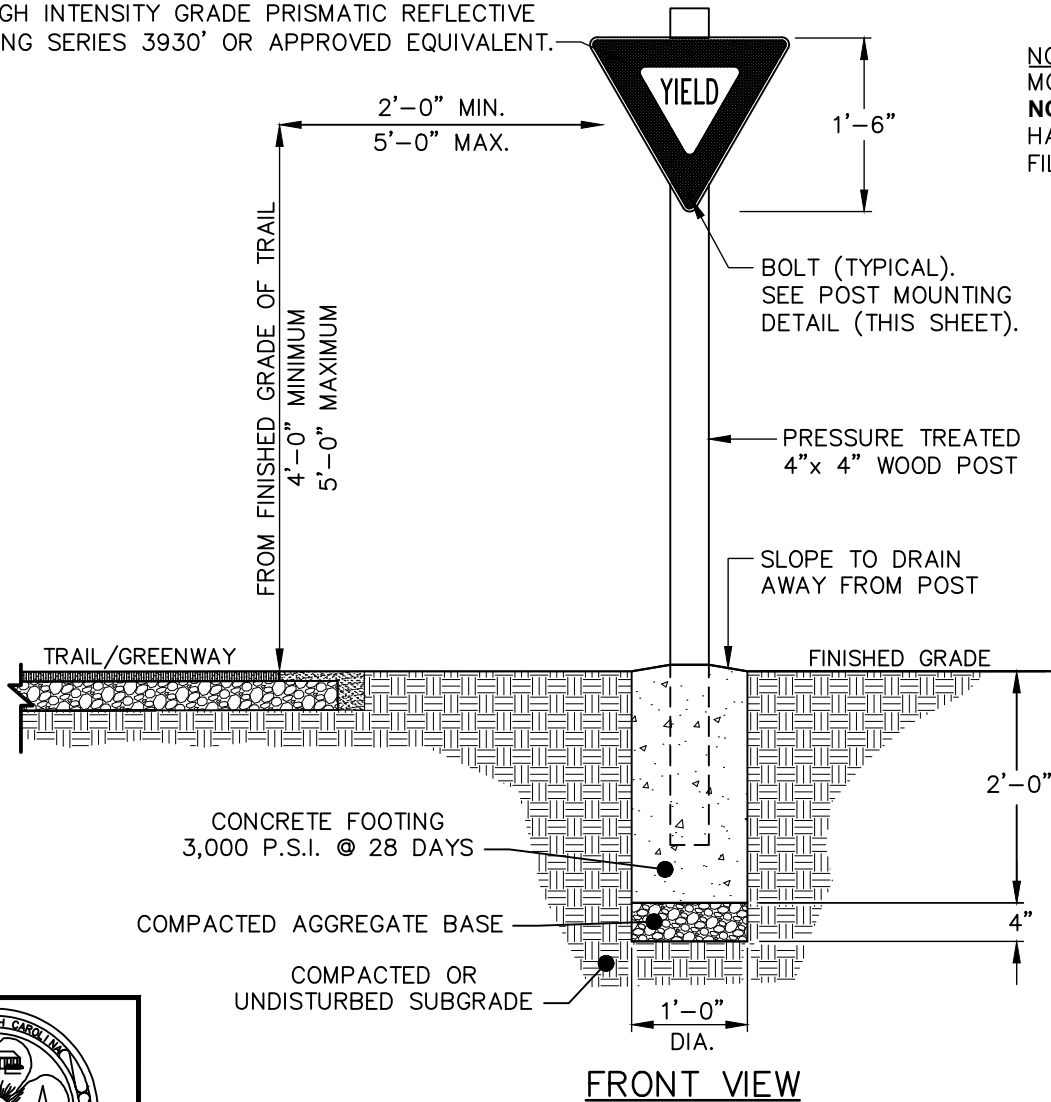
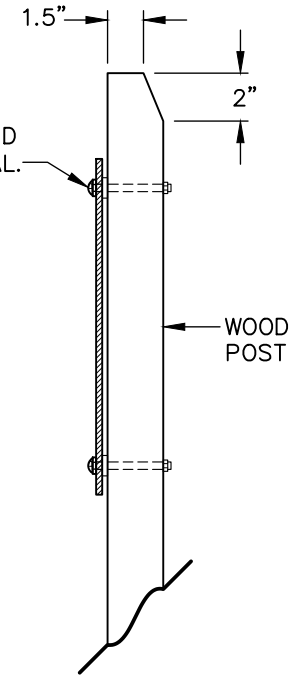


SIGN: MUTCD R1-2.
 0.125 MINIMUM GAUGE ALUMINUM SIGN, GRADE 6061
 OR BETTER. ALL REFLECTIVE LETTERING SHALL BE
 '3M HIGH INTENSITY GRADE PRISMATIC REFLECTIVE
 SHEETING SERIES 3930' OR APPROVED EQUIVALENT.



NOTE:
 MOUNT SIGN ON WOOD POST TO
NCDOT SPECIFICATIONS. ALL
 HARDWARE TO BE GALVANIZED AND
 FILED TO PREVENT THEFT/REMOVAL.



POST MOUNTING DETAIL

NOTE:
 SIGN SHALL MEET CURRENT **MUTCD**
 REQUIREMENTS FOR COLOR AND REFLECTION.



EFFECTIVE: 07/01/21

STANDARD PRIVATE TRAIL SIGN: YIELD

DETAIL No.

9700.08