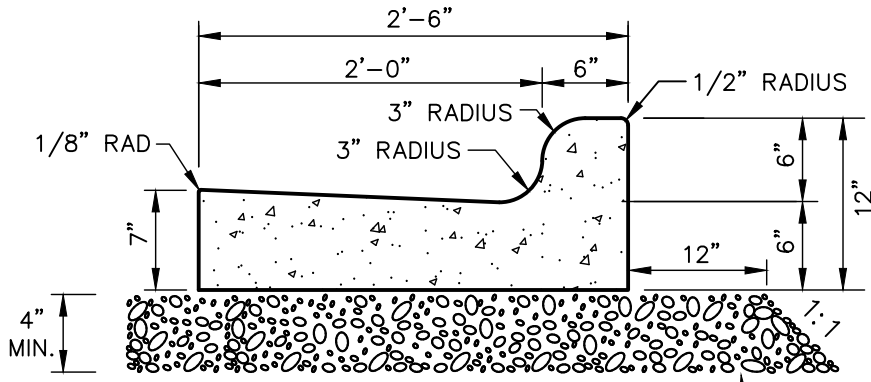
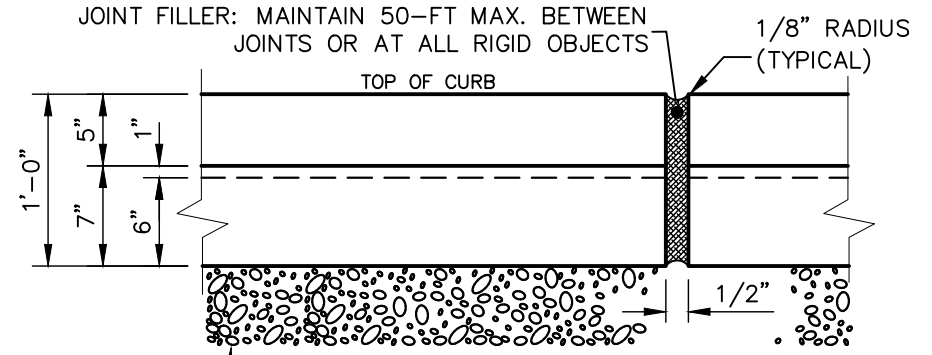


### STANDARD CURB TYPE



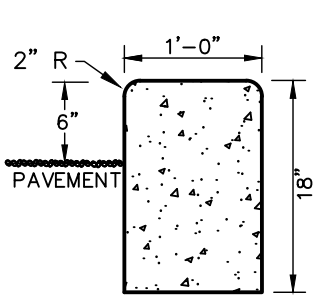
**STANDARD 30" CURB & GUTTER**  
SIDE VIEW

AGGREGATE BASE COURSE (A.B.C.)  
UNDER THE CURB & GUTTER

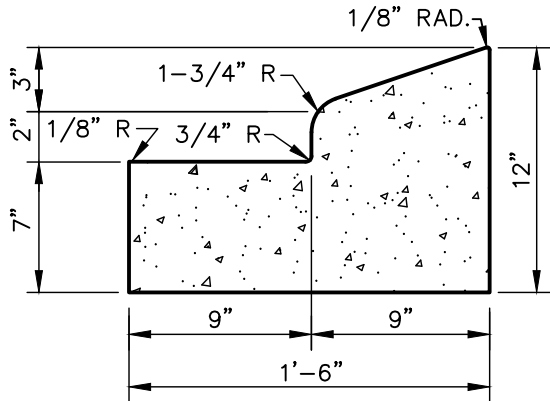


**FRONT VIEW**  
TRANSVERSE EXPANSION JOINT

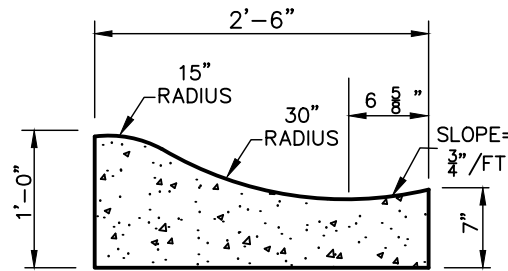
### ALTERNATE CURB TYPES



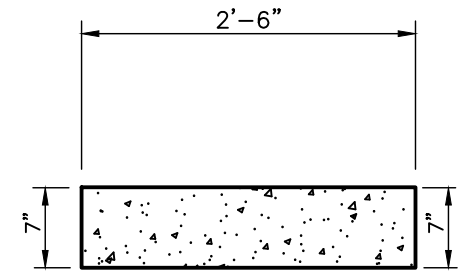
**12 INCH CURB**  
SIDE VIEW



**MEDIAN CURB & GUTTER**  
SIDE VIEW



**ROLLED CURB**  
SIDE VIEW



**CONCRETE BORDER CURB**  
SIDE VIEW

**NOTES:**

1. CONCRETE SHALL BE 3,000 P.S.I.
2. CONTRACTION JOINTS SHALL BE SPACED AT 10 FOOT INTERVALS. (A 15 FOOT SPACING WILL BE ALLOWED WHEN A MACHINE IS USED)
3. FINISH ALL CONCRETE WITH CURING COMPOUND.
4. REFER TO NCDOT DET. 846.01 FOR CURB & GUTTER SUPERELEVATION RATES.

## CONCRETE CURB AND GUTTER TYPES

DETAIL No.

3100.01



EFFECTIVE: 07/01/22