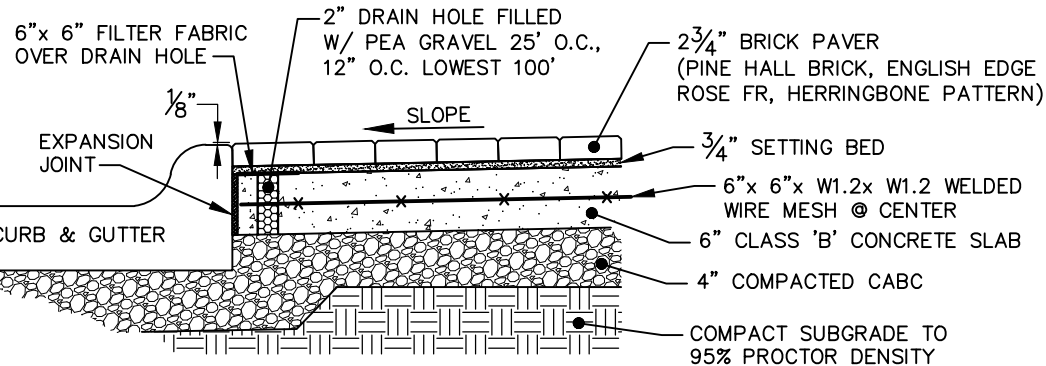
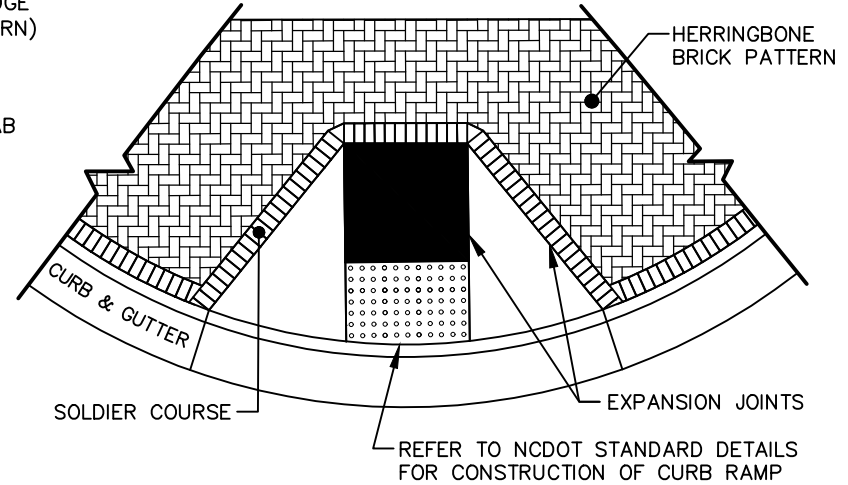


**BRICK SIDEWALK SECTION
LIGHT DUTY**

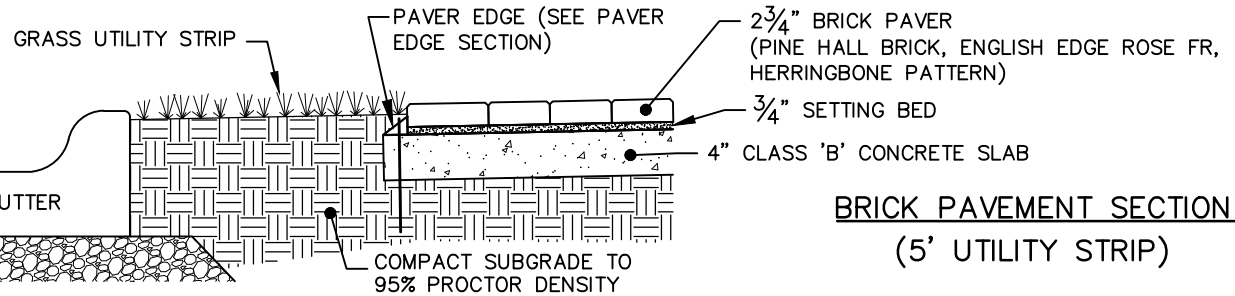
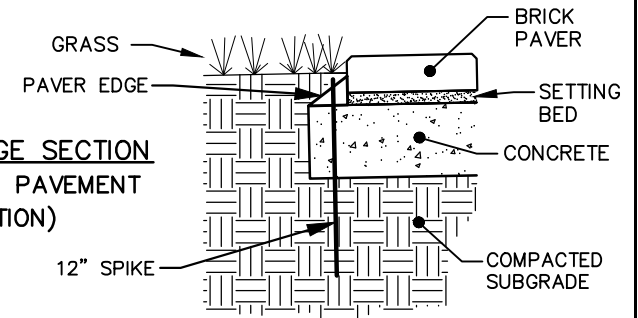


**BRICK SIDEWALK SECTION
HEAVY DUTY**

CURB RAMP - PLAN VIEW



**PAVER EDGE SECTION
(SEE BRICK PAVEMENT SECTION)**



**BRICK PAVEMENT SECTION
(5' UTILITY STRIP)**



STANDARD BRICK PAVERS OR CONCRETE PAVERS SIDEWALK

EFFECTIVE: 07/01/22

DETAIL No.

3100.09