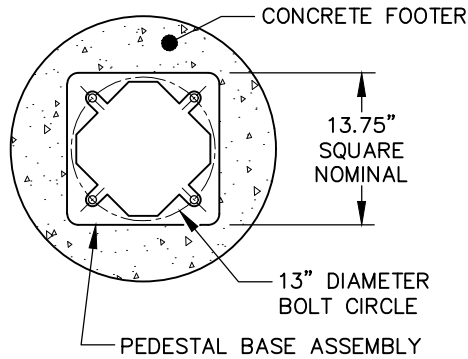


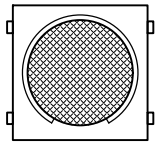
### BASE PLATE DETAIL

(PLAN VIEW)



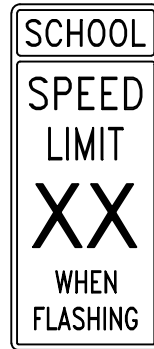
### SIGNAL HEAD DETAIL

(FRONT VIEW)



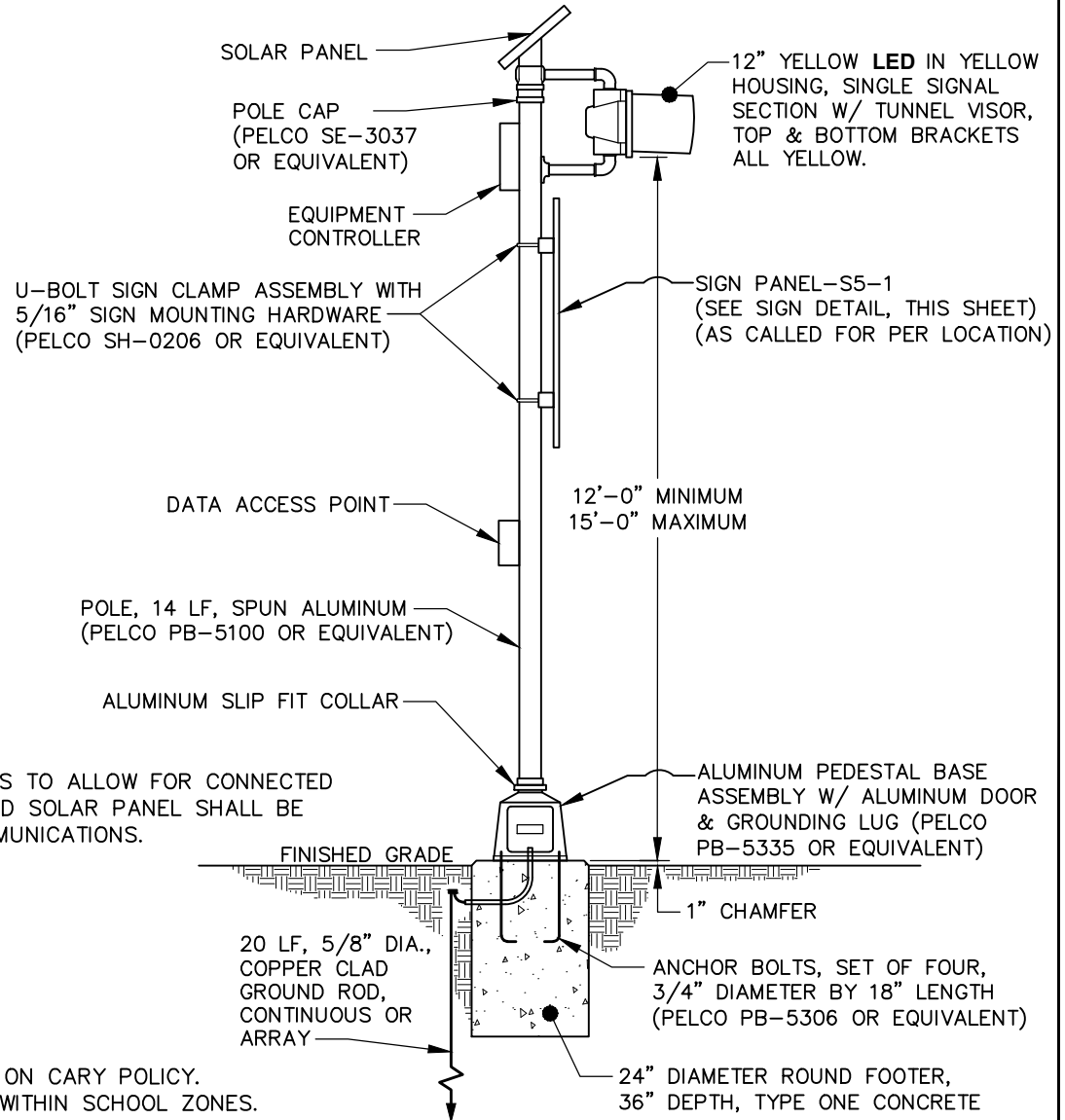
12" YELLOW LED WITH TUNNEL VISOR

### SIGN DETAIL



S5-1  
30"x60"

### SOLAR POWERED SCHOOL BEACON



**NOTES:**

1. THE EQUIPMENT CONTROLLER SHALL INCLUDE ROADSIDE PROCESSOR UNITS TO ALLOW FOR CONNECTED VEHICLES FUNCTIONALITY. SPECIFIC MODELS FOR THE RSP, BATTERY, AND SOLAR PANEL SHALL BE DESIGNATED BY CARY STAFF TO ENSURE PROPER OPERATIONS AND COMMUNICATIONS.
2. ALL FASTENERS SHALL BE STAINLESS STEEL.
3. SIGNAL INDICATIONS SHALL BE LED TYPE.
4. CONTRACTOR SHALL NOTIFY CARY PRIOR TO CONSTRUCTION.
5. INSTALL BEACON OUTSIDE OF CLEAR ZONE.
6. NO SIDEWALK OBSTRUCTIONS PERMITTED TO HEIGHT OF 7 FEET.
6. ASSEMBLY SHALL MATCH OTHERS WITHIN CARY.
7. ALL SCHOOL SIGNS SHOULD USE FLUORESCENT YELLOW GREEN COLOR WHERE APPLICABLE.
8. SPEED LIMIT ON S5-1 TO BE DETERMINED BASED ON CARY POLICY.
9. SEE CARY POLICY 153 FOR ALL SIGNS REQUIRED WITHIN SCHOOL ZONES.



EFFECTIVE: 07/01/22

## SCHOOL SPEED LIMIT FLASHER ASSEMBLY

DETAIL No.

3500.02