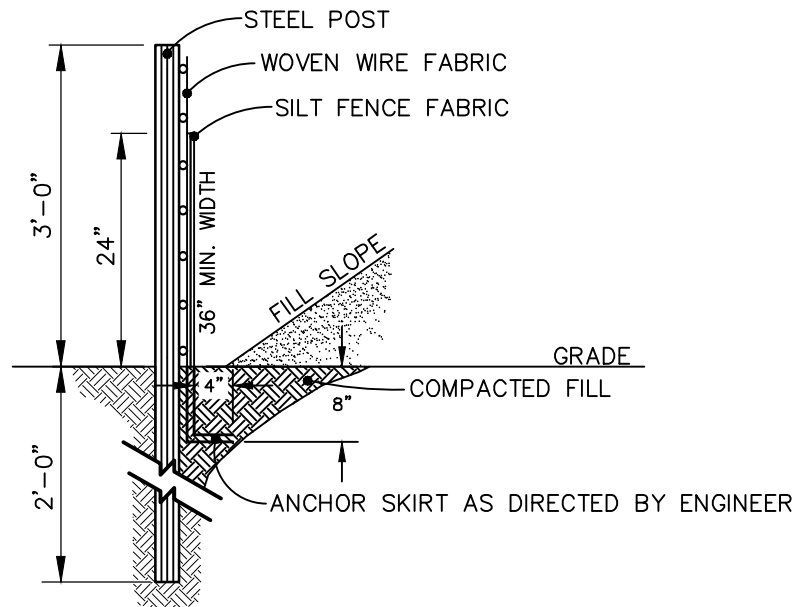


FRONT VIEW

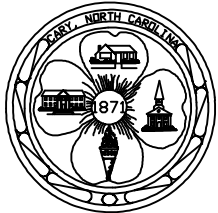
NOTES:

- 1) USE SILT FENCE ONLY WHEN DRAINAGE AREA DOES NOT EXCEED 1/4 ACRE PER 100 ft. OF FENCE AND NEVER IN AREAS OF CONCENTRATED FLOW.
- 2) OVERLAP 12 INCHES WHEN SPLICING FABRIC.
- 3) FOR REPAIR OF SILT FENCE FAILURES USE DETAIL 4000.23.



SIDE VIEW

STANDARD TEMPORARY SILT FENCE



EFFECTIVE: 07/01/22

DETAIL No.

4000.01