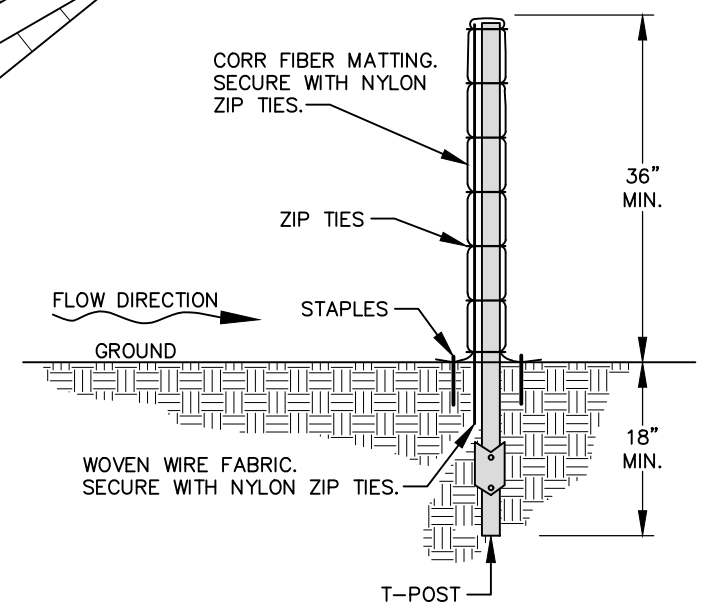


- NOTES:**
1. DRIVE STEEL FENCE POST AT LEAST 18 INCHES INTO SOLID GROUND.
 2. WOOD POST ARE NOT ACCEPTABLE.
 3. DIRECT WATER TO TOP OF BASIN USING STABILIZED DITCH, SLOPE DRAIN PIPE OR OTHER APPROVED METHOD.
 4. REFER TO MOST RECENT VERSION OF NC EROSION AND SEDIMENT CONTROL PLANNING AND DESIGN MANUAL FOR DESIGN CRITERIA.

BAFFLE DETAIL



EFFECTIVE: 07/01/22

STANDARD TEMPORARY SKIMMER BASIN

DETAIL No.
4000.03
SHEET 1 OF 2