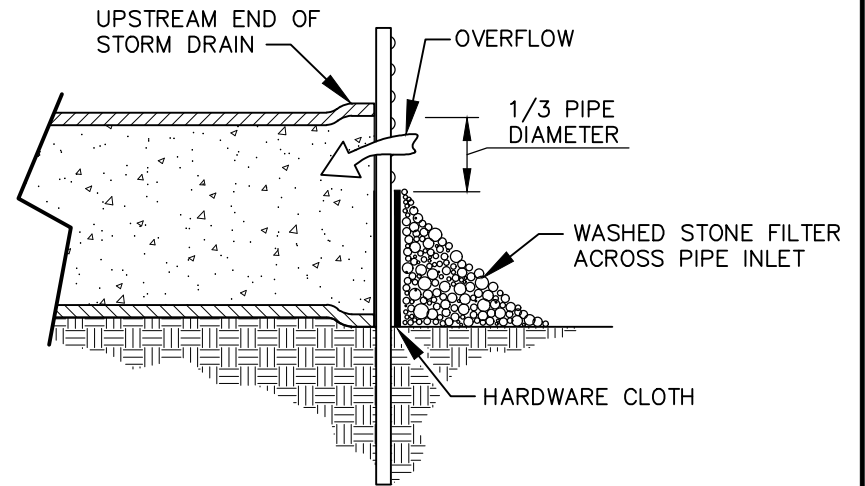
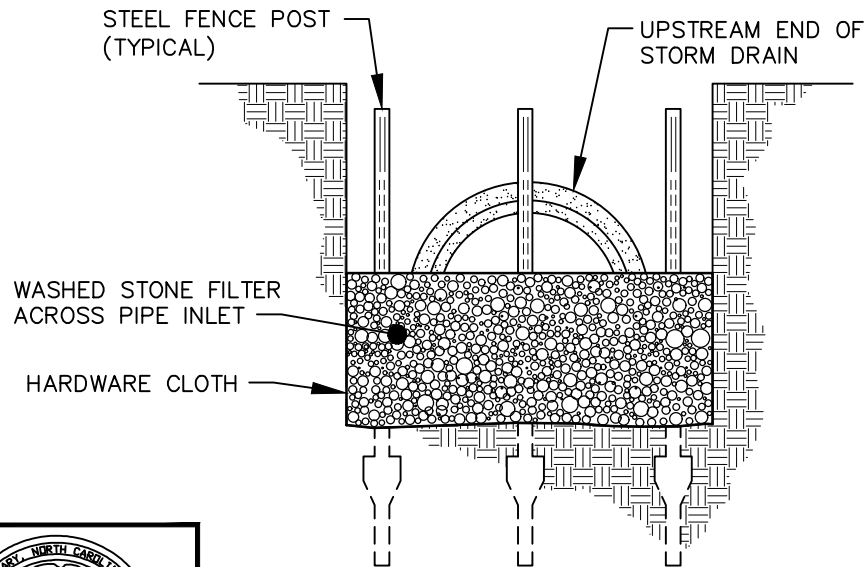
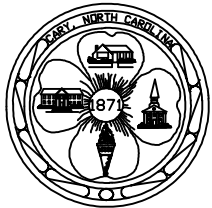


PLYWOOD INLET PROTECTION

NOTE:
ALL PARTIALLY COMPLETED STORM DRAINS,
UP TO 24 INCH PIPE SIZE, SHALL BE
PROTECTED AT THE END OF EACH DAY IN
ACCORDANCE WITH THESE DETAILS.



STONE FILTER INLET PROTECTION



EFFECTIVE: 07/01/22

STANDARD PIPE INLET PROTECTION (PLYWOOD & STONE)

DETAIL No.

4000.12