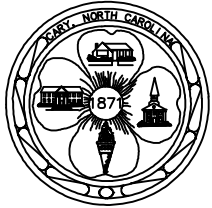
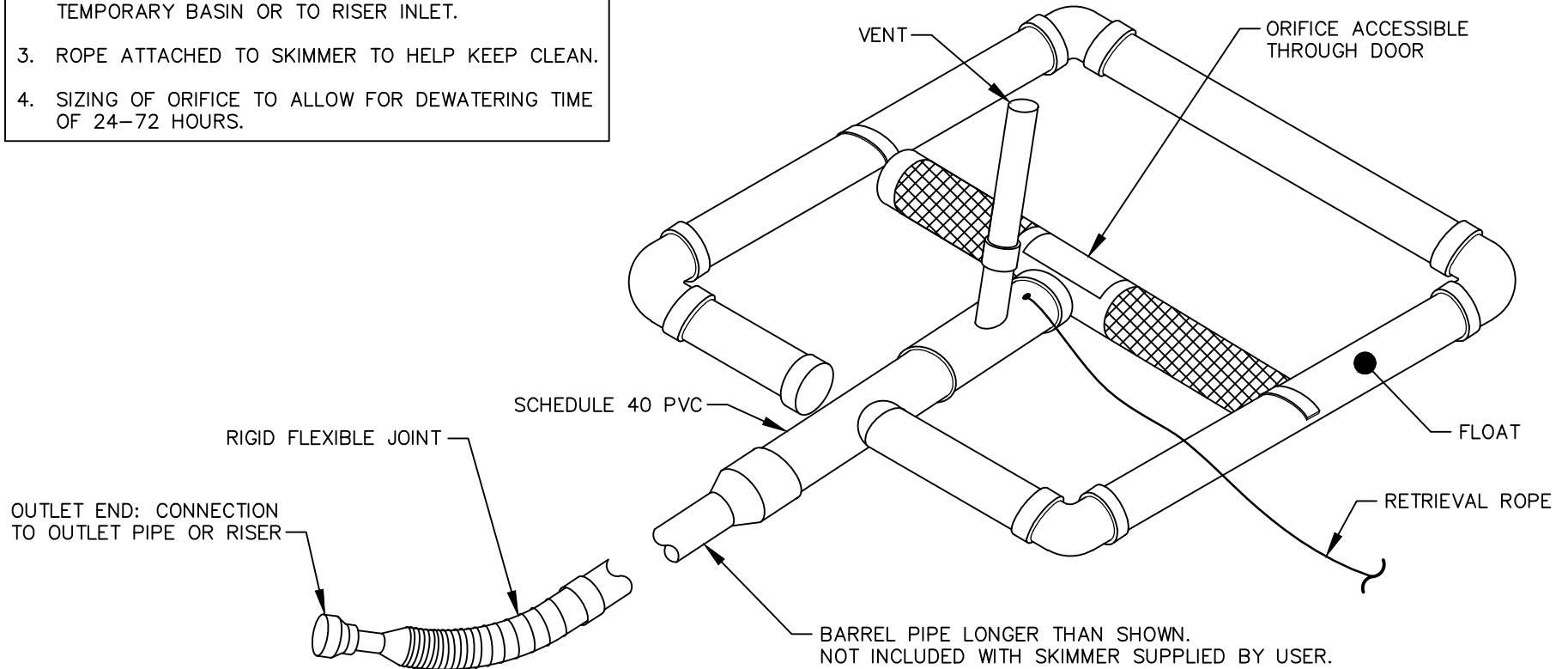


**NOTES:**

1. SKIMMER IS TO BE A SURFACE DEWATERING DEVICE SUCH AS SKIMMER BASIN OR APPROVED DEVICE.
2. SKIMMER SHOULD RISE TO LEVEL OF WEIR HEIGHT IN TEMPORARY BASIN OR TO RISER INLET.
3. ROPE ATTACHED TO SKIMMER TO HELP KEEP CLEAN.
4. SIZING OF ORIFICE TO ALLOW FOR DEWATERING TIME OF 24-72 HOURS.



EFFECTIVE: 07/01/22

**STANDARD SKIMMER DETAIL**

DETAIL No.

4000.18