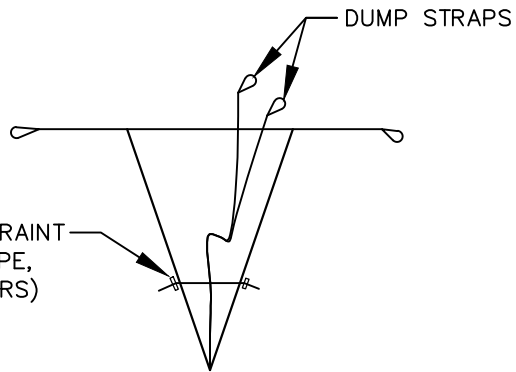
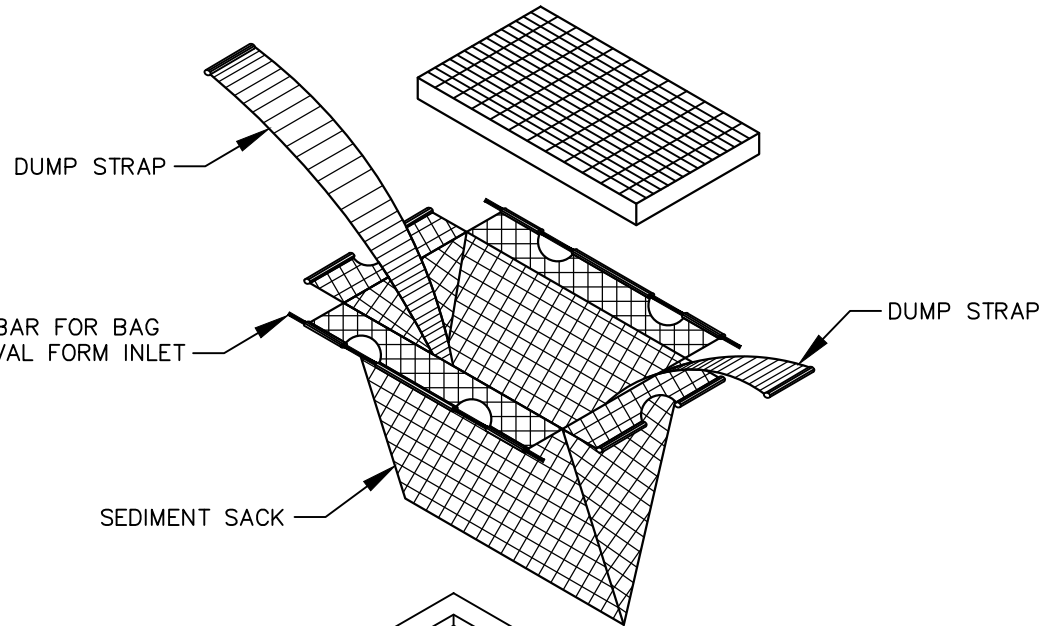
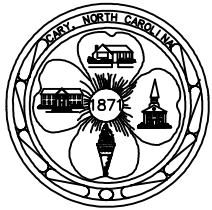
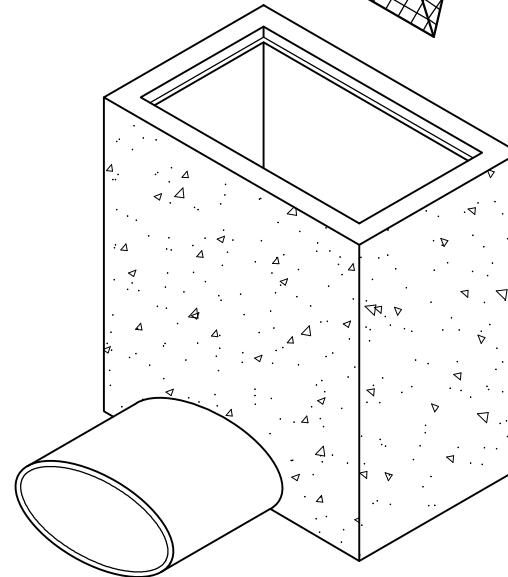


INSTALLATION DETAIL



BAG DETAIL



EFFECTIVE: 07/01/22

STANDARD INLET SEDIMENT CONTROL DEVICE

DETAIL No.

4000.19