

ASSE 1024 NO LEAD DUAL CHECK VALVE

1" METER

NO LEAD BRASS EXPANSION CONNECTION

2" READER HOLE

R/W OR EASEMENT

EXISTING GRADE

ROADWAY

SIDWALK

NO LEAD BALL VALVE (2)

LOCK NUT (2)

1" NO LEAD FIP INLET WITH 1" NO LEAD MIP BY COMPRESSION JOINT 45° BEND

CAP OR OTHERWISE PROTECT OUTLET

1" TYPE "k" SOFT COPPER TUBING, WITH NO JOINTS OR COUPLINGS AND COMPRESSION CONNECTIONS

1" NO LEAD FIP OUTLET (CARY MAINTENANCE ENDS AT OUTLET CONNECTION)

BURIED NO LEAD CURB STOP SHALL BE LOCATED WITHIN 2-FT OF METER BOX

12" #57 WASHED STONE

NOTE: CONTRACTOR TO VERIFY EXISTING SERVICE MATERIAL ON CUSTOMER SIDE AND REPORT RESULTS TO CARY PUBLIC WORKS.

4'-0" MIN. (TYP.)

NOTE: MARKING TAPE SHALL HAVE DETECTABLE MARKERS EMBEDDED IN THE TAPE AND SPACED ADEQUATELY TO PROVIDE CONTINUOUS DETECTION ALONG THE TAPE FROM ABOVE THE BURIED PIPE AT FINAL GRADE.

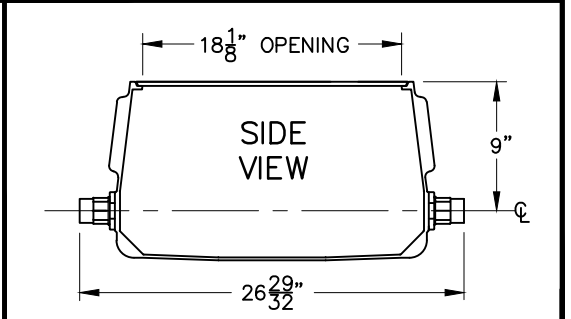
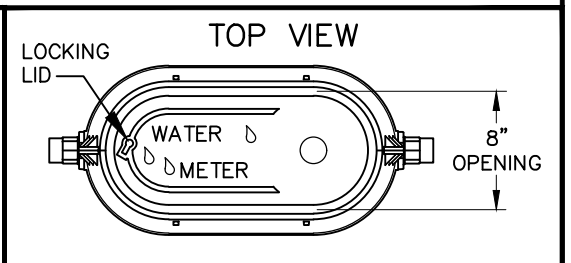
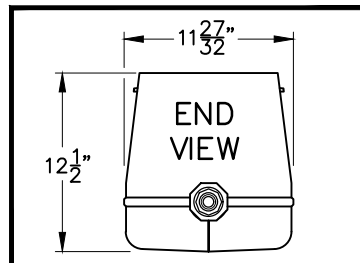
4-FT MINIMUM DEPTH. BEGIN TRANSITION AT SIDWALK.

UNDISTURBED SOIL

45° TO 60°

WATER MAIN

NO LEAD CORPORATION STOP



NOTES:

1. WATER METER SHALL NOT BE LOCATED IN AREAS SUBJECT TO VEHICULAR TRAFFIC.
2. ALL METER BOXES AND LIDS SHALL BE APPROVED BY CARY.
3. ALL SERVICE LINES, VALVES AND FITTINGS SHALL COMPLY WITH AWWA C800.
4. FOR NON-RESIDENTIAL APPLICATIONS THAT REQUIRE AN ABOVE-GROUND BACKFLOW PREVENTER, THE DUAL CHECK ASSEMBLY MAY BE OMITTED.
5. BOX AND LID SHALL BE CAST GRAY IRON, ASTM A48, CLASS 25 OR ASTM A126 CLASS B.
6. ALL BRASS COMPONENTS SHALL BE 'NO LEAD' BRASS MEETING UNS C89833 AS PER ASTM B584.
7. ONE 2 OR 6 INCH GRADE ADJUSTER MAY BE UTILIZED WHEN NEEDED TO MEET FINAL GRADE (NO GRADE ADJUSTERS MAY BE USED ON NEW CONSTRUCTION PROJECTS). GRADE ADJUSTER AND BOX SHALL BE BY THE SAME MANUFACTURER.
8. APPROVED MARKING TAPE SHALL BE INSTALLED FOR ALL SERVICE CONNECTIONS FROM MAIN LINE TO METER FOR ALL NEW CONSTRUCTION OR RETROFIT INSTALLATIONS USING OPEN TRENCH METHODS.
9. WITHIN TOWNHOUSE DEVELOPMENTS, WATER SERVICES SHALL BE LOCATED WITHIN 4 FEET OF DRIVEWAYS IN ORDER TO MINIMIZE CONFLICTS BETWEEN SERVICE LINES AND TREES.

STANDARD 1" WATER SERVICE & METER BOX INSTALLATION FOR ROADWAY WITH CURB & GUTTER

DETAIL No.

6000.01



EFFECTIVE: 07/01/22