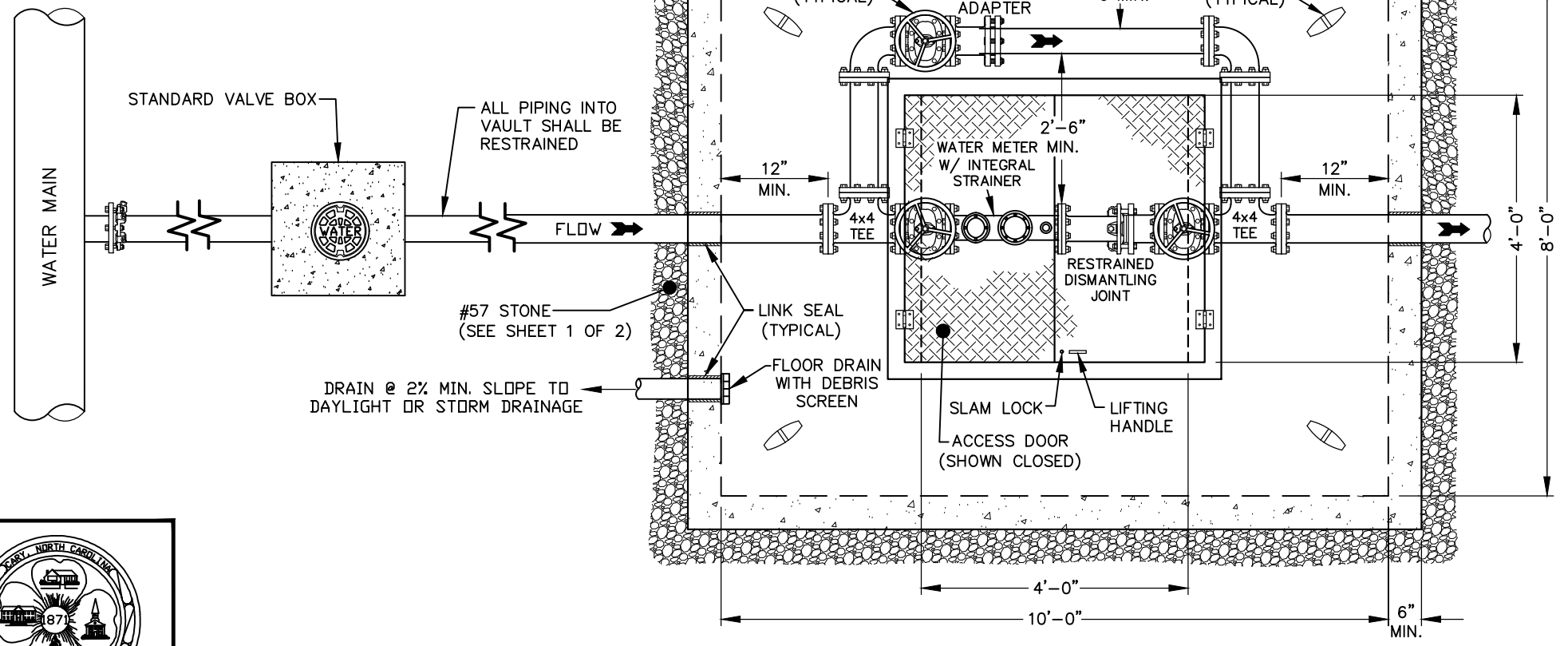


PLAN VIEW
(SEE SHEET 1 OF 2 FOR SECTION VIEW)



STANDARD 3" OR 4" METER INSTALLATION & VAULT



DETAIL No.
6000.04
SHEET 2 OF 2