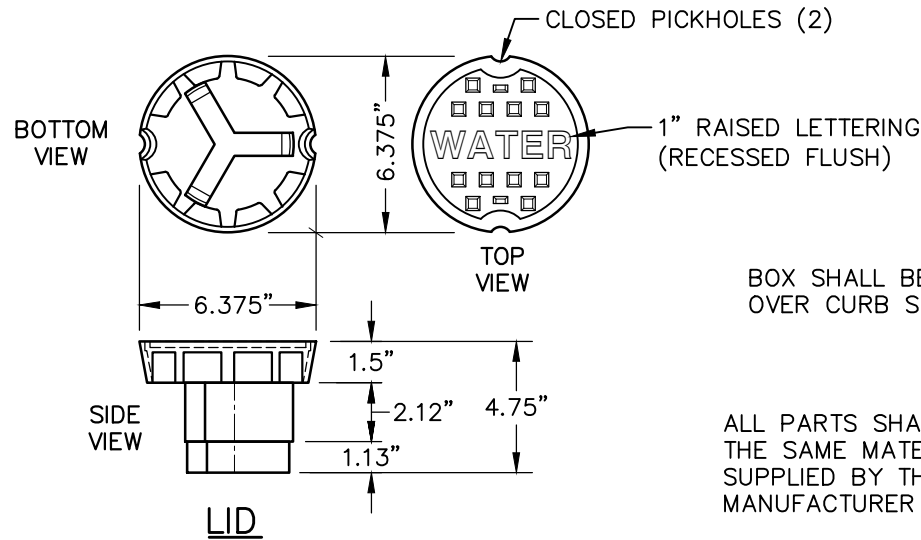
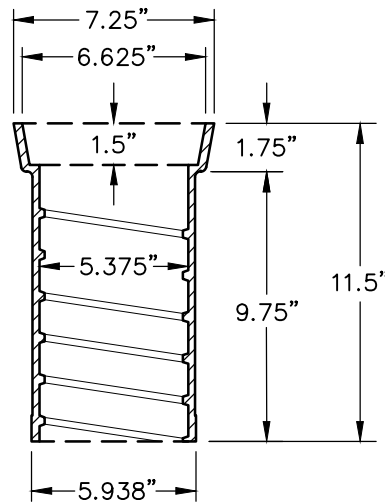


**BOTTOM SECTION**



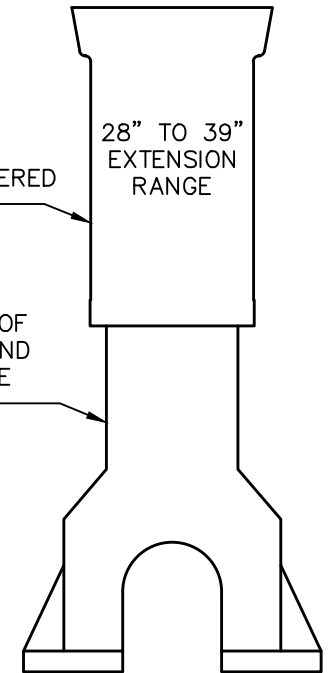
**LID**



**TOP SECTION**

BOX SHALL BE CENTERED OVER CURB STOP

ALL PARTS SHALL BE OF THE SAME MATERIAL AND SUPPLIED BY THE SAME MANUFACTURER



28" TO 39" EXTENSION RANGE

**COMPLETE BOX**

WEIGHT	
BOTTOM	29
TOP	16
LID	25
<b>TOTAL</b>	<b>70</b>

**NOTES:**

1. CURB STOP BOXES SHALL ONLY BE USED AS SPECIFIED ON DETAIL DRAWINGS 6000.06 AND 6000.32.
2. MOUSE HOLES SHALL BE COVERED WITH FILTER FABRIC PRIOR TO BACKFILLING.
3. ENTIRE VALVE BOX ASSEMBLY & COVER SHALL BE CAST FROM CLASS 35 GRAY IRON.
4. ASSEMBLY SHALL BE DOMESTICALLY MADE AND MANUFACTURED IN THE U.S.A.



EFFECTIVE: 07/01/22

**STANDARD WATER CURB STOP BOX**

DETAIL No.

6000.13