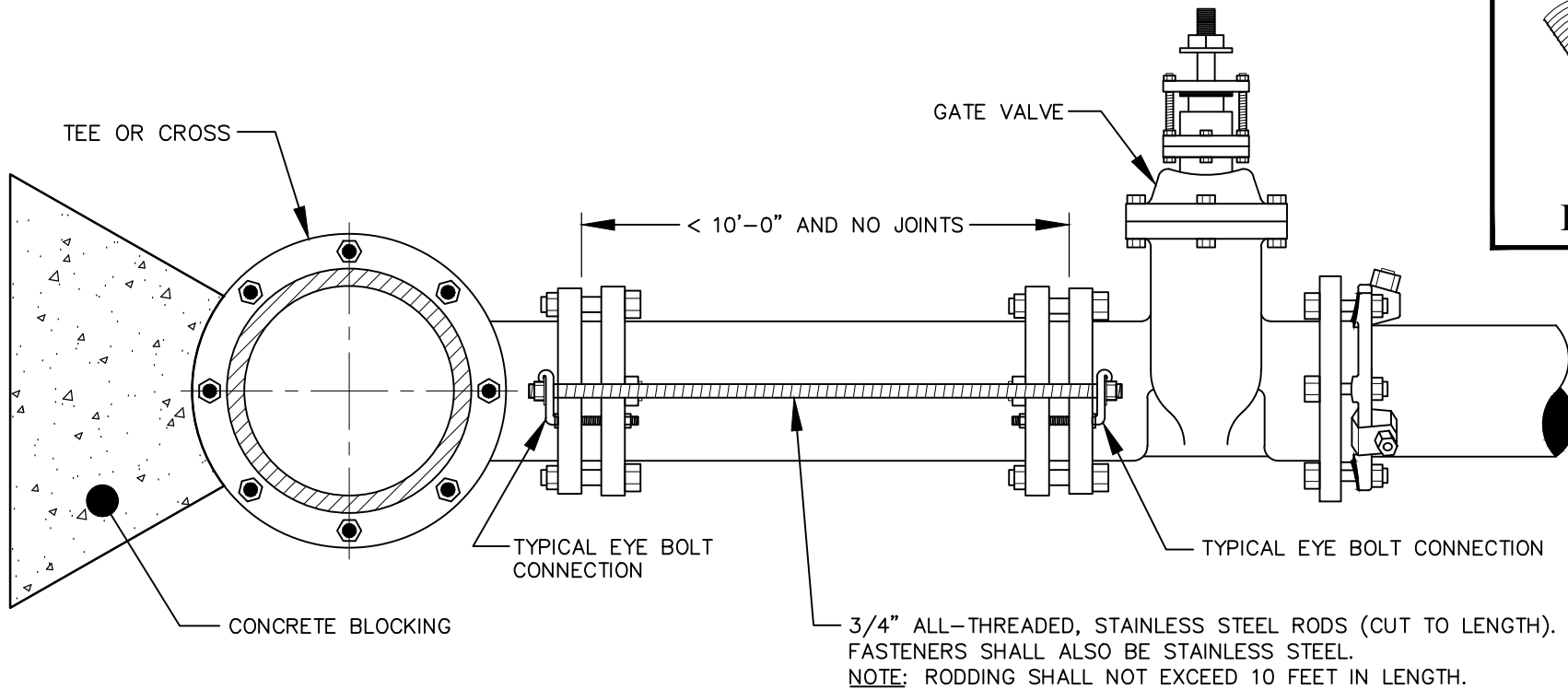


TYPICAL EYE BOLT



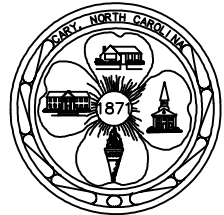
3/4" ALL-THREADED, STAINLESS STEEL RODS (CUT TO LENGTH).
 FASTENERS SHALL ALSO BE STAINLESS STEEL.
 NOTE: RODDING SHALL NOT EXCEED 10 FEET IN LENGTH.

STAINLESS STEEL ROD REQUIREMENTS

<u>BRANCH SIZE</u>	<u>No. OF RODS</u>
4"	2
6"	2
8"	4
12"	6
16"	8

GENERAL NOTES:

1. SEE STANDARD THRUST BLOCK DETAIL.
2. CONCRETE SHALL NOT CONTACT BOLTS OR ENDS OF MECHANICAL FITTINGS.
3. RODS SHALL NOT BE COUPLED.



EFFECTIVE: 07/01/22

STANDARD VALVE RESTRAINT WITH RODDING
 AT A TEE OR CROSS UP TO 16" IN DIAMETER

DETAIL No.

6000.14