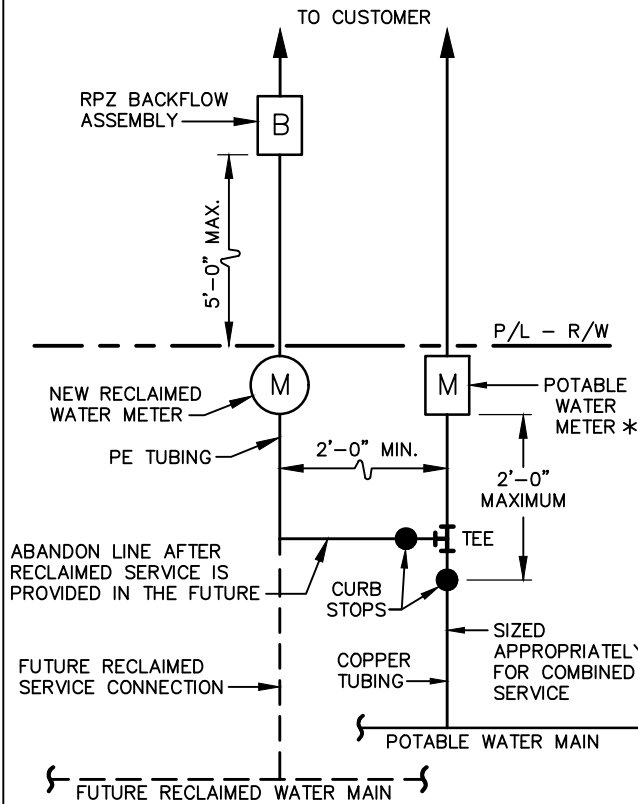
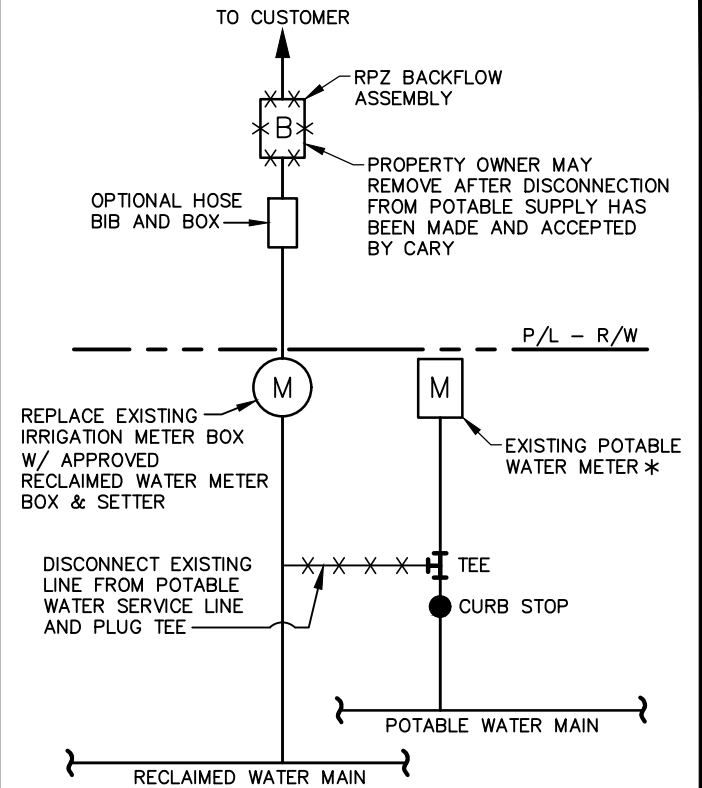


**SCENARIO 1**  
RECLAIMED SERVICE CONNECTION  
 (NEW INSTALLATION)



**SCENARIO 2**  
PRESENT POTABLE IRRIGATION  
CONNECTION WHERE RECLAIMED SERVICE  
IS NOT YET AVAILABLE



**SCENARIO 3**  
RETROFIT OF EXISTING  
IRRIGATION METER ASSEMBLY  
FROM POTABLE TO RECLAIMED SERVICE

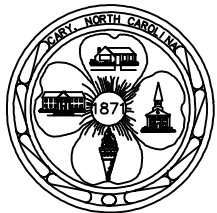
**\*NOTES:**

1. POTABLE WATER METER SHALL BE FITTED WITH DUAL CARTRIDGE CHECK VALVE.
2. METERS ARE TO BE PLACED IMMEDIATELY INSIDE OF R/W OR UTILITY EASEMENT LINE.
3. ALL PIPE AND APPURTENANCES LOCATED OUTSIDE OF THE RIGHT-OF-WAY OR EASEMENT ARE MAINTAINED BY THE PROPERTY OWNER.
4. APPROVED MARKING TAPE SHALL BE INSTALLED FOR ALL SERVICE CONNECTIONS FROM MAIN LINE TO METER FOR ALL NEW CONSTRUCTION OR RETROFIT INSTALLATIONS USING OPEN TRENCH METHODS.
5. WITHIN TOWNHOUSE DEVELOPMENTS, RECLAIMED WATER SERVICES SHALL BE LOCATED WITHIN 4 FEET OF DRIVEWAYS IN ORDER TO MINIMIZE CONFLICTS BETWEEN SERVICE LINES AND TREES.

**STANDARD RECLAIMED WATER SERVICE CONNECTIONS**  
**IN DEFINED RECLAIMED SERVICE AREAS**

DETAIL No.

6500.01



EFFECTIVE: 07/01/22