

CARY MAINTENANCE ENDS AT
METER BOX OUTLET CONNECTION

R/W OR
EASEMENT

EXISTING GRADE

4'-0" MIN.
(TYP.)

1" PURPLE POLYETHYLENE PIPE (IPS)
WITH NO JOINTS OR COUPLINGS

4-FT MIN. DEPTH

45° TO
60°

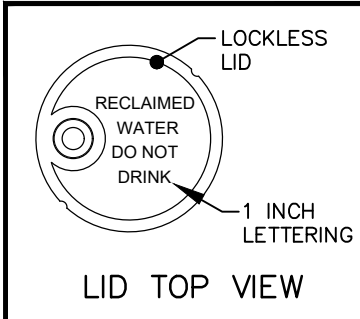
CAUTION RECLAIMED WATER DO NOT DRINK

UNDISTURBED SOIL

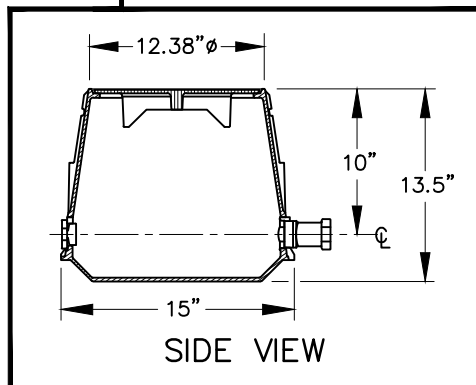
12" #57 WASHED STONE

NO LEAD CORPORATION STOP IPS CONNECTION
PVC SERVICE SADDLE CONTROLLED DIAMETER

RECLAIMED
WATER MAIN



LID TOP VIEW



SIDE VIEW

NOTES:

1. WATER METER SHALL NOT BE LOCATED IN AREAS SUBJECT TO VEHICULAR TRAFFIC.
2. ALL METER BOXES AND LIDS SHALL BE APPROVED BY CARY.
3. ALL SERVICE LINES, VALVES AND FITTINGS SHALL COMPLY WITH AWWA C800.
4. THE INTERIOR AND EXTERIOR OF THE BOX AND LID SHALL BE COLORED PANTONE 522 PURPLE.
5. ALL RELOCATIONS OF EXISTING OR PERMITTED RECLAIMED WATER INFRASTRUCTURE INCLUDING SERVICE PIPING AND METER BOXES SHALL BE PERMITTED AND INSPECTED IN CONFORMANCE WITH CARY POLICIES AND PROCEDURES.
6. BOX AND LID SHALL BE CAST IRON, ASTM A48, CLASS 25.
7. ALL BRASS COMPONENTS SHALL BE 'NO LEAD' BRASS MEETING UNS C89833 AS PER ASTM B584.
8. APPROVED MARKING TAPE SHALL BE INSTALLED FOR ALL SERVICE CONNECTIONS FROM MAIN LINE TO METER FOR ALL NEW CONSTRUCTION OR RETROFIT INSTALLATIONS USING OPEN TRENCH METHODS.
9. WITHIN TOWNHOUSE DEVELOPMENTS, THE WATER SERVICES AND METER BOXES SHALL BE LOCATED WITHIN 4 FEET OF DRIVEWAYS IN ORDER TO MINIMIZE CONFLICTS BETWEEN SERVICE LINES AND TREES.



EFFECTIVE: 07/01/22

STANDARD 1" RECLAIMED WATER SERVICE & METER BOX INSTALLATION

DETAIL No.

6500.02