

RING TOP VIEW

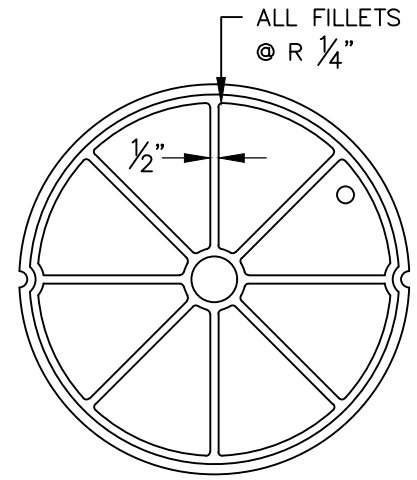
COVER FOR SANITARY  
SEWER IN PAVED AREAS

(1) VENT HOLE

1/4" RAISED LETTERING  
(RECESSED FLUSH)

FILLETS @ R 1/8"

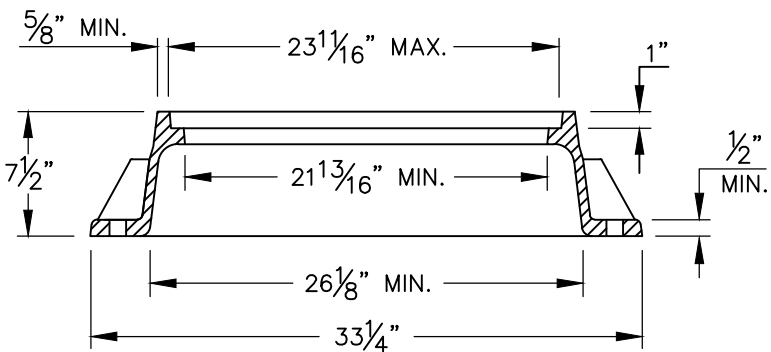
COVER TOP VIEW



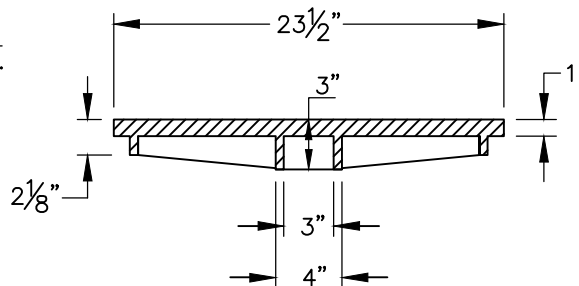
COVER BOTTOM VIEW

(2) PICKHOLES  
1" DIAMETER

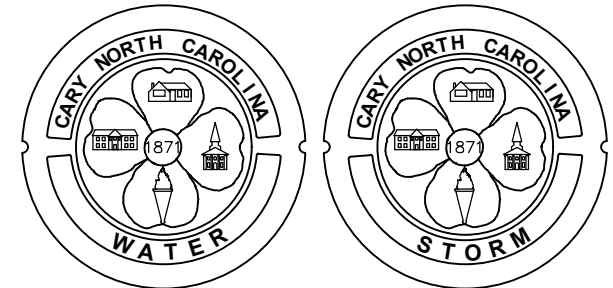
ALL FILLETS  
@ R 1/4"



SECTION "A-A"



SECTION "B-B"



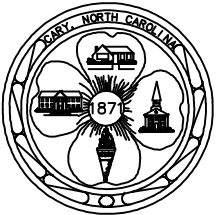
ALTERNATE LETTERING

**SPECIFICATIONS:**

1. CLASS 35 GRAY IRON.
2. COMPLIES WITH ASTM A48 CL35B.
3. ALL LETTERING SHALL BE CLEAN, CRISP, AND CLEARLY LEGIBLE.
4. DOMESTICALLY MADE & MANUFACTURED IN THE USA.

**MINIMUM WEIGHTS**

RING	180
COVER	125
TOTAL	305



**STANDARD MANHOLE RING AND COVER  
(TYPE 1 FOR PAVED AND UNPAVED AREAS WITHIN THE RIGHT-OF-WAY)**

DETAIL No.

7000.07

EFFECTIVE: 07/01/22