

1" DIAMETER VENT HOLE

(3) HEX HEAD  $\frac{3}{8}$ "-16  
ZINC PLATED BOLT WITH ZINC WASHER  
& ZINC COATED STAINLESS STEEL NUT

**SPECIFICATIONS:**

1. GRAY IRON.
2. COMPLIES WITH ASTM A48 CL35B.
3. ALL LETTERING SHALL BE CLEAN, CRISP, AND CLEARLY LEGIBLE.
4. DOMESTICALLY MADE AND MANUFACTURED IN THE USA.

$\frac{1}{2}$ " RAISED LETTERING  
(RECESSED FLUSH)

(4) 1" DIA. HANDLING HOLES  
ON A  $29\frac{3}{4}$ " DIA. B.C.

$5\frac{5}{16}$ "

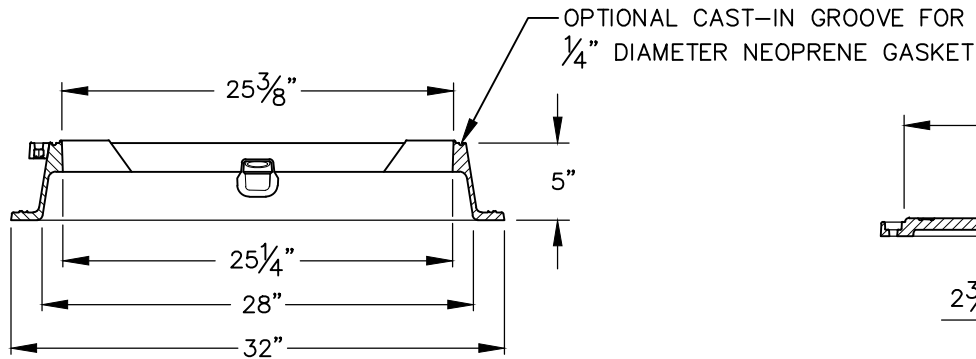
CAST-IN  
STAINLESS  
STEEL ROD

$11\frac{5}{8}$ "

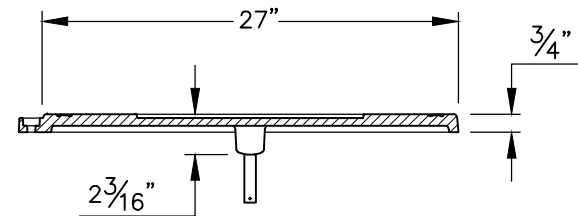
COVER SECTION  
B-B

FRAME SECTION  
B-B

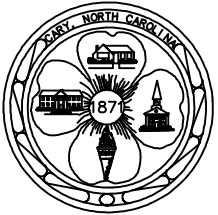
COVER TOP VIEW



FRAME SECTION  
A-A



COVER SECTION  
A-A



EFFECTIVE: 07/01/22

**STANDARD MANHOLE RING AND COVER**  
(TYPE 2B FOR OUTFALLS - NON-WATERTIGHT APPLICATIONS)

DETAIL No.

7000.09