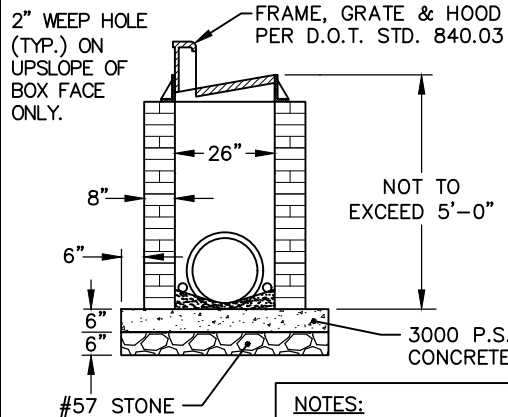
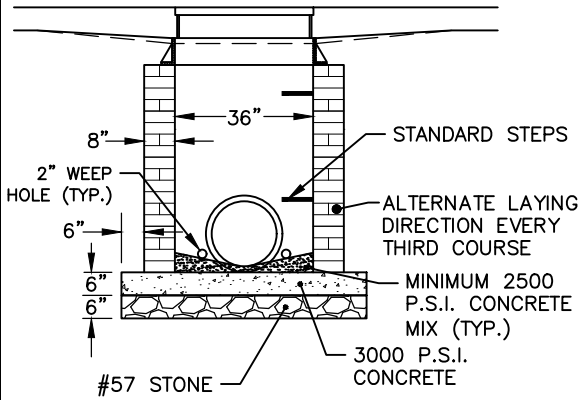
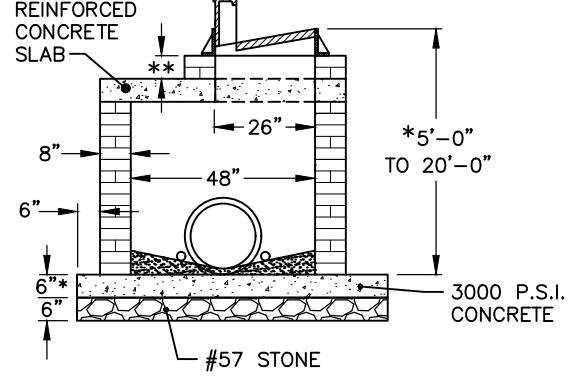
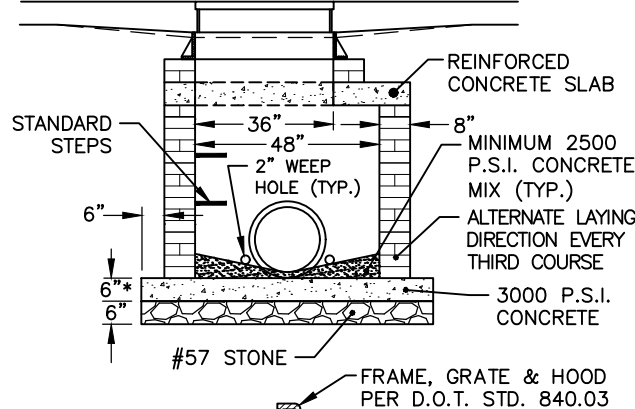


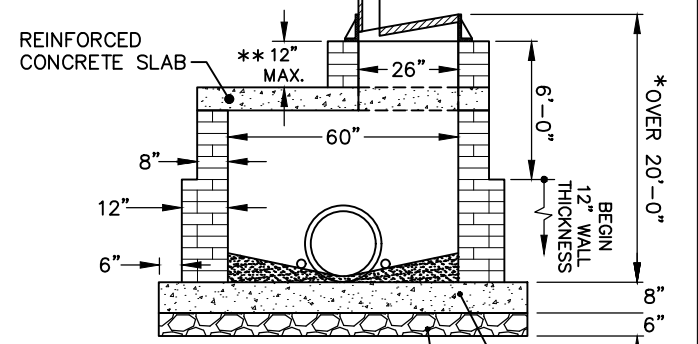
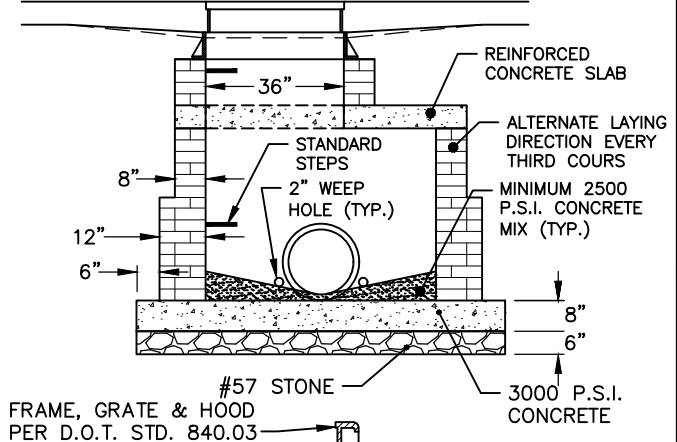
SHALLOW TYPE
(5 FEET OR LESS IN DEPTH)



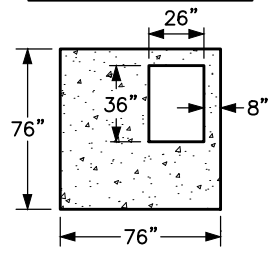
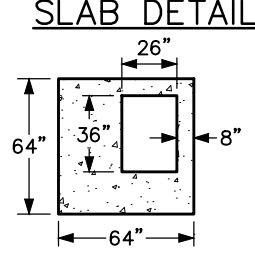
INTERMEDIATE TYPE (4'X4')
(5 FEET TO 20 FEET IN DEPTH)



DEEP TYPE (5'X5')
(OVER 20 FEET IN DEPTH)



SLAB DETAIL



- NOTES:**
1. ONLY TOP AND BOTTOM STEPS REQUIRED ON BOXES INSTALLED IN THE PUBLIC RIGHT-OF-WAY.
 2. SLAB THICKNESS AND REINFORCEMENT FOR SOIL AND TRAFFIC LOADING BY AN ENGINEER.
 3. PLACE SAND BAG FILLED WITH #57 STONE OVER WEEP HOLES ON EXTERIOR OF BOX.
- * OVER 8' IN DEPTH, 12" WALL THICKNESS TO 6' FROM TOP OF WALL, AND 8' BOTTOM SLAB SHALL BE USED.
- ** BRICK MAY BE USED TO ADJUST FRAME, GRATE & HOOD TO SURFACE ELEVATION A MAXIMUM OF 12 INCHES.



EFFECTIVE: 07/01/22

STANDARD CONCRETE BLOCK OR BRICK CATCH BASIN

DETAIL No.
8000.03