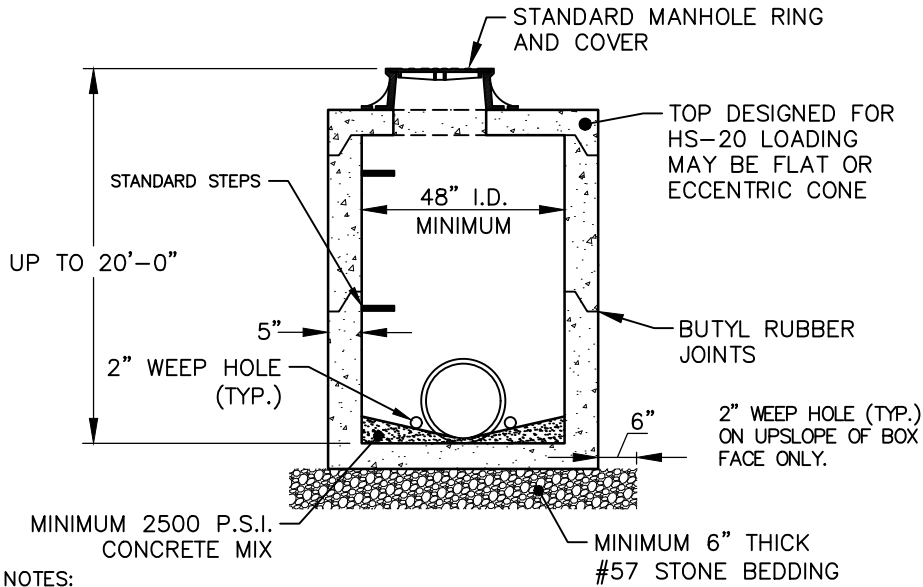
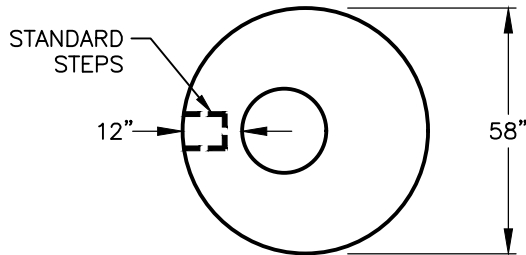


**STANDARD TYPE**  
(UP TO 20 FEET IN DEPTH)



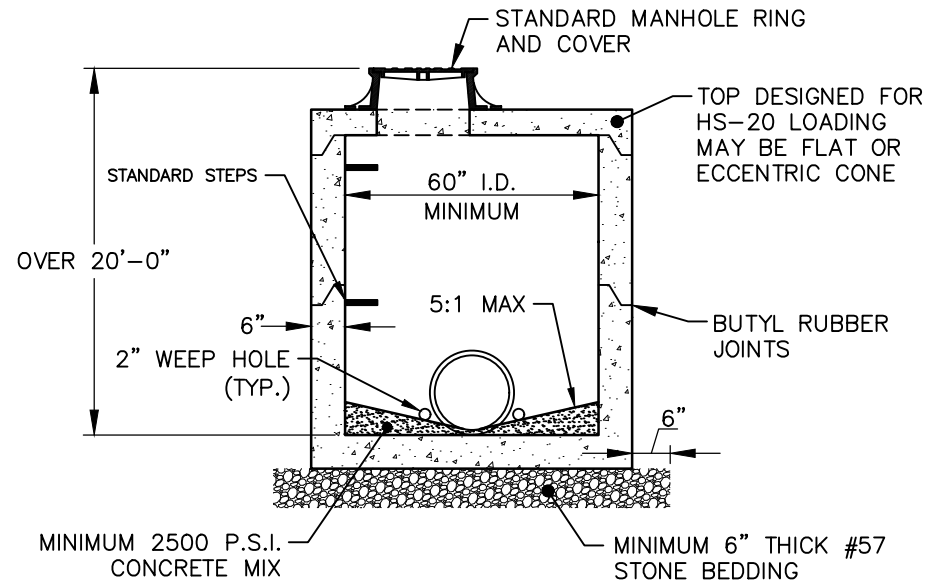
**NOTES:**

1. ONLY TOP AND BOTTOM STEPS REQUIRED ON BOXES INSTALLED IN THE PUBLIC RIGHT-OF-WAY
2. ALL EXTERNAL JOINTS SHALL BE WRAPPED WITH 6" MIN. RUBBERIZED MASTIC JOINT WRAP.
3. PLACE SAND BAG FILLED WITH #57 STONE OVER WEEP HOLES ON EXTERIOR OF BOX.



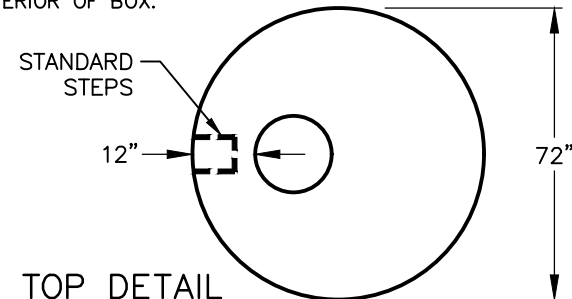
**FLAT TOP DETAIL**

**DEEP TYPE**  
(OVER 20 FEET IN DEPTH)

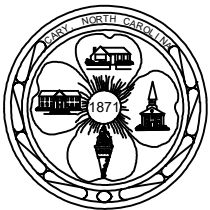


**NOTES:**

1. ONLY TOP AND BOTTOM STEPS REQUIRED ON BOXES INSTALLED IN THE PUBLIC RIGHT-OF-WAY
2. ALL EXTERNAL JOINTS SHALL BE WRAPPED WITH 6" MIN. RUBBERIZED MASTIC JOINT WRAP.
3. PLACE SAND BAG FILLED WITH #57 STONE OVER WEEP HOLES ON EXTERIOR OF BOX.



**FLAT TOP DETAIL**



EFFECTIVE: 07/01/22

**STANDARD PRECAST CONCRETE MANHOLE JUNCTION BOX**

DETAIL No.

8000.06