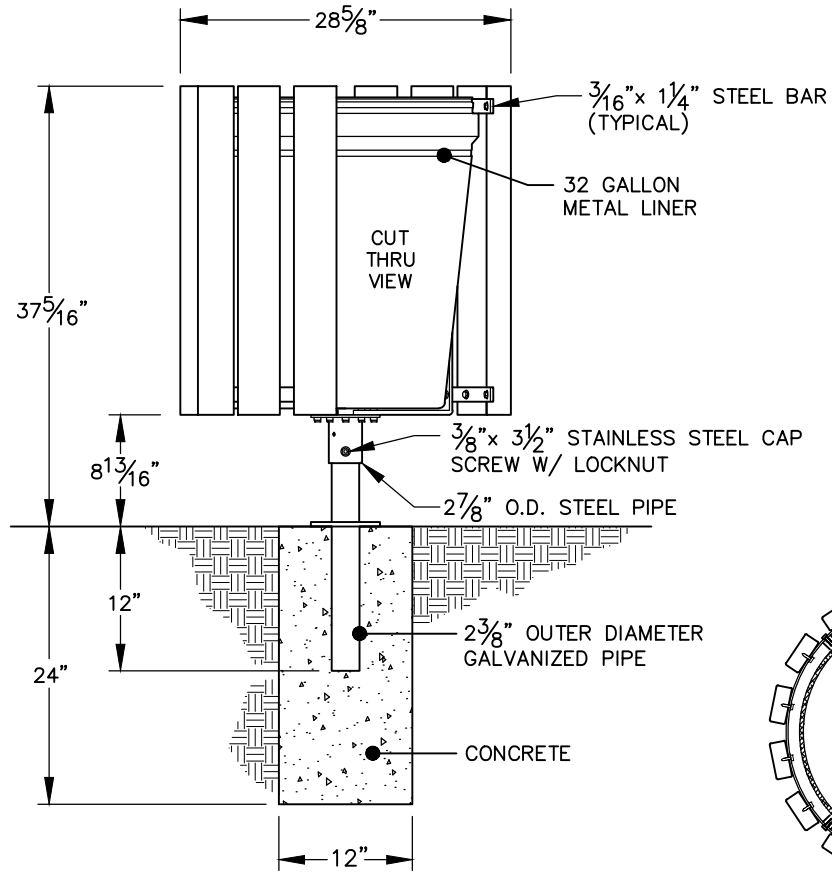
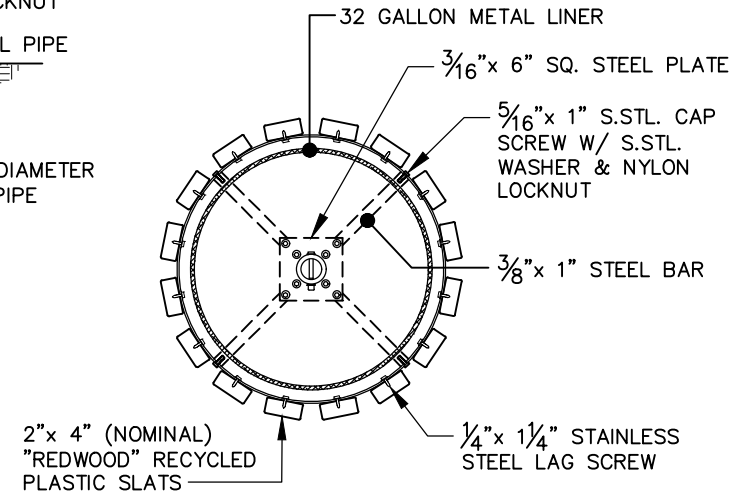


**DOME COVER TOP VIEW**



**TRASH RECEPTACLE SIDE VIEW**



**TRASH RECEPTACLE TOP VIEW**

**NOTE:**  
ALL STEEL MEMBERS COATED W/ ZINC RICH EPOXY THEN FINISHED WITH BLACK POLYESTER POWDER COATING.



EFFECTIVE: 07/01/22

**STANDARD TRASH RECEPTACLE**

DETAIL No.

9300.03