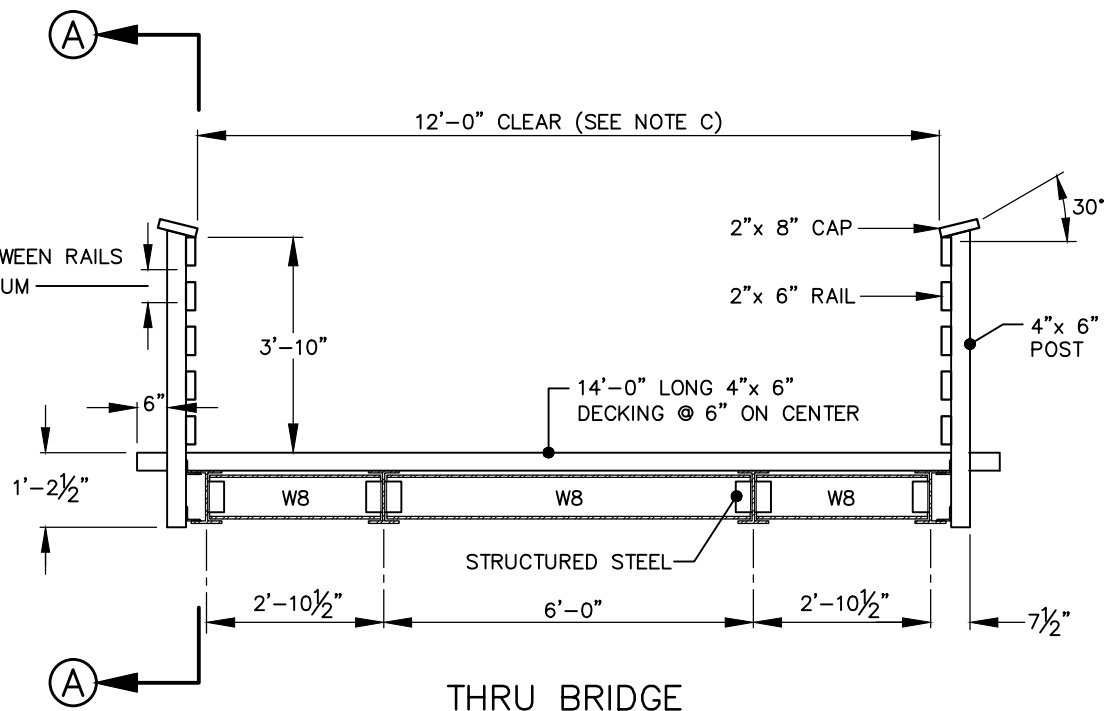


**BRIDGE POST/RAIL
SECTION A-A**



**THRU BRIDGE
SECTION**

NOTE:
EXTEND RAILING 15 FEET BEYOND ENDS
OF BRIDGE AS PER DETAILS 9500.04

BRIDGE SPECIFICATIONS:

A. DESIGN LOADS:

- I. THE BRIDGE SHALL BE DESIGNED FOR AN EVENLY DISTRIBUTED LOAD OF 85 POUNDS PER SQUARE FOOT AS REQUIRED BY AASHTO STANDARD SPECIFICATIONS FOR HIGHWAY BRIDGES, 16TH EDITION, AND A CONCENTRATED LOAD OF 20,000 POUNDS AT MID-SPAN. THE DESIGN OF THE LAMINATED LUMBER BRIDGE COMPONENTS SHALL BE IN ACCORDANCE WITH THE "AMERICAN INSTITUTE OF TIMBER CONSTRUCTION", "AITC 117-2001", OR LATEST EDITION.
- II. THE TOTAL BRIDGE DEAD LOAD APPLIED TO THE END BENT SHALL NOT EXCEED 37,000 POUNDS.

B. REFER TO ADDITIONAL WRITTEN SPECIFICATIONS.

C. IF RUNNING SLOPE ON BRIDGE EXCEED 5%, HANDRAILS SHALL BE PROVIDED IN ACCORDANCE WITH AASHTO/ADA DESIGN REQUIREMENTS; 12 FEET CLEARANCE, AS INDICATED IN SECTION VIEW, SHALL BE BETWEEN HANDRAILS.

D. STRUCTURAL ENGINEER SHALL SIZE ALL LUMBER AND SPACING APPROPRIATELY TO MEET CAPACITY REQUIREMENTS, AND SHALL PROVIDE A SEALED CERTIFICATION TO CARY THAT STRUCTURE WAS CONSTRUCTED AND INSTALLED IN ACCORDANCE WITH PLANS AND CARY SPECIFICATIONS.

STEEL BEAM AND WOOD BRIDGE (OPTION 'B')

DETAIL No.

9500.03



EFFECTIVE: 07/01/22