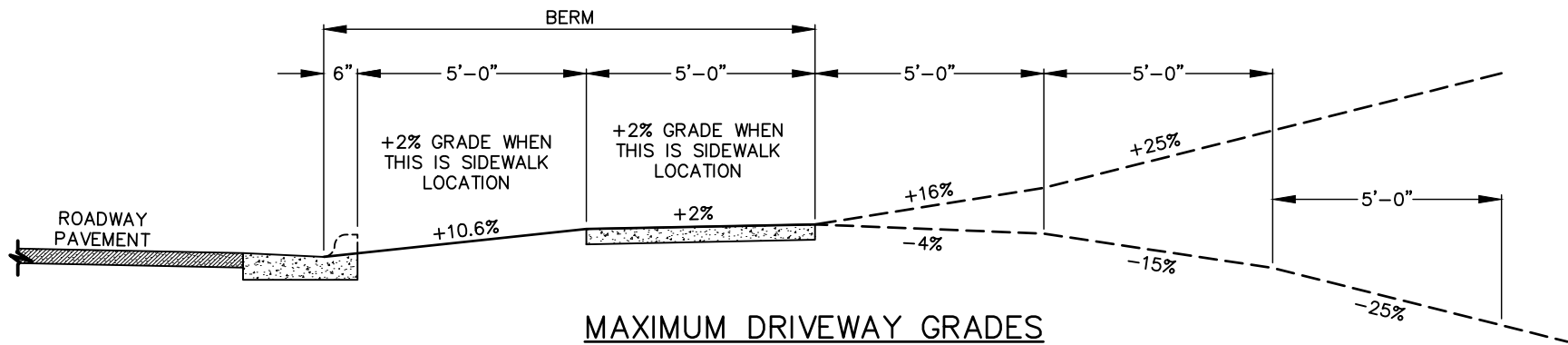
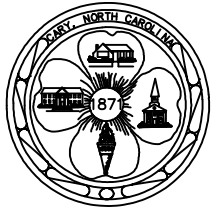


DESIRABLE DRIVEWAY GRADES



MAXIMUM DRIVEWAY GRADES



DRIVEWAY APRON - TYPE I & II
DRIVEWAY GRADES

EFFECTIVE:07/01/23

DETAIL No.

3200.02