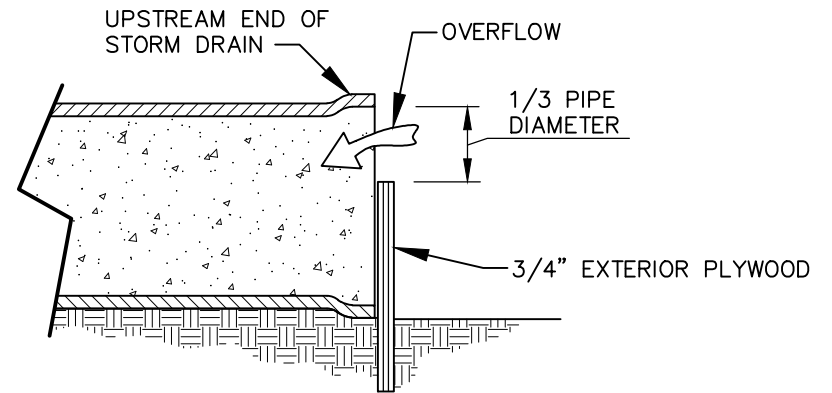
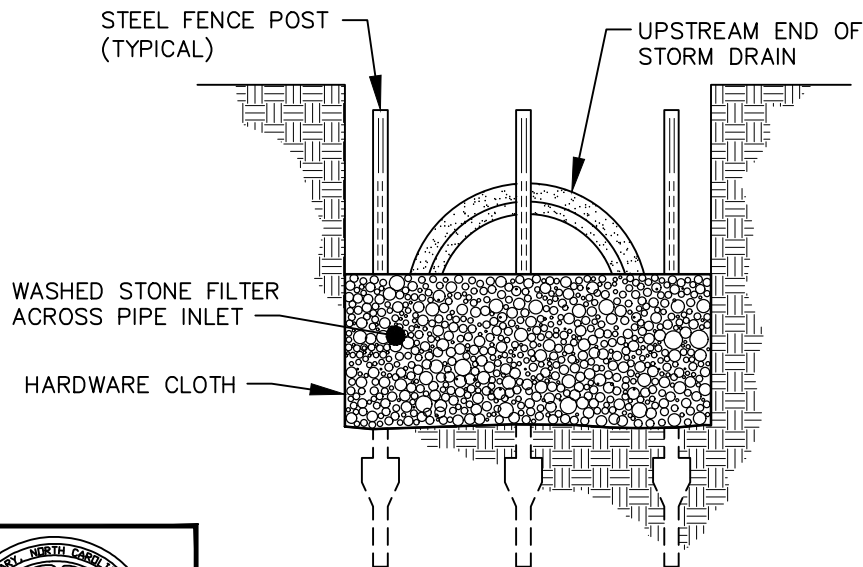


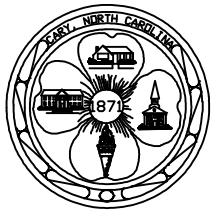
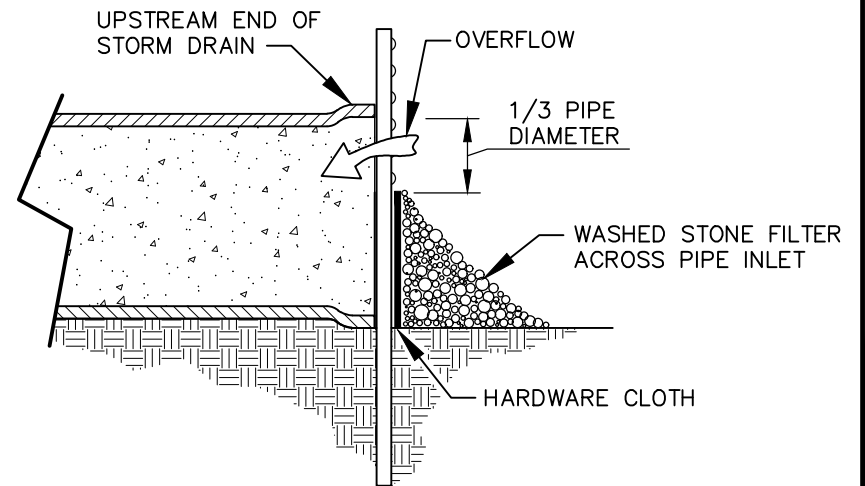
PLYWOOD INLET PROTECTION



**NOTE:**  
 ALL PARTIALLY COMPLETED STORM DRAINS,  
 UP TO 24 INCH PIPE SIZE, SHALL BE  
 PROTECTED AT THE END OF EACH DAY IN  
 ACCORDANCE WITH THESE DETAILS.



STONE FILTER INLET PROTECTION



EFFECTIVE: 07/01/23

STANDARD PIPE INLET PROTECTION (PLYWOOD & STONE)

DETAIL No.

4000.12