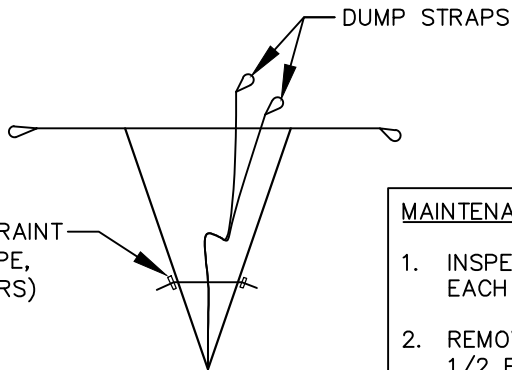
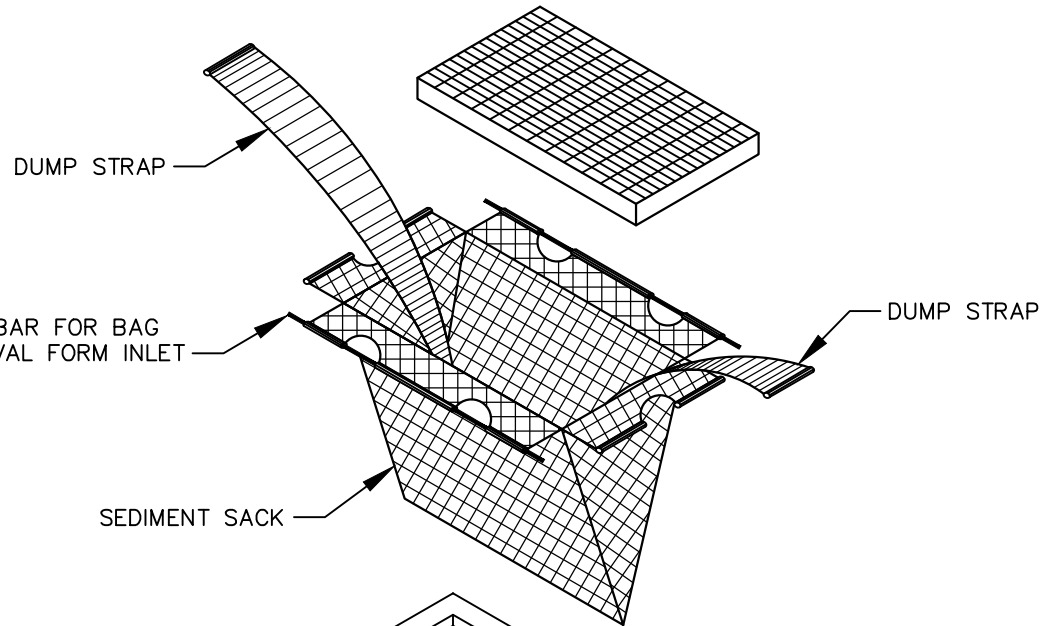


INSTALLATION DETAIL

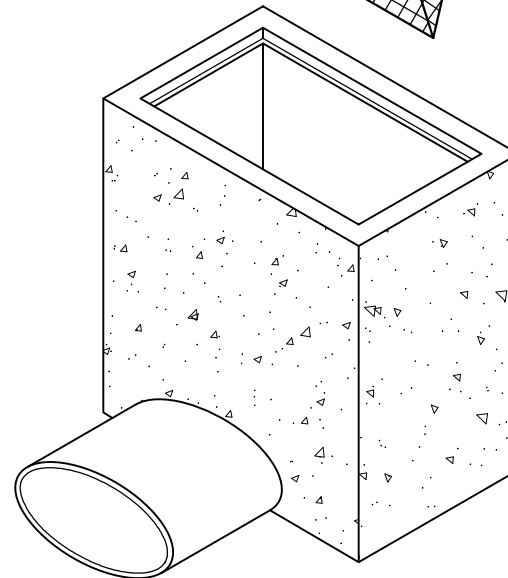


EXPANSION RESTRAINT
(1/4" NYLON ROPE,
2" FLAT WASHERS)

BAG DETAIL

MAINTENANCE:

1. INSPECT WEEKLY AND AFTER EACH RAINFALL EVENT.
2. REMOVE SEDIMENT WHEN 1/2 FULL.
3. REPLACE BAG IF TORN OR DAMAGED.



EFFECTIVE: 07/01/23

STANDARD INLET SEDIMENT CONTROL DEVICE

DETAIL No.

4000.19