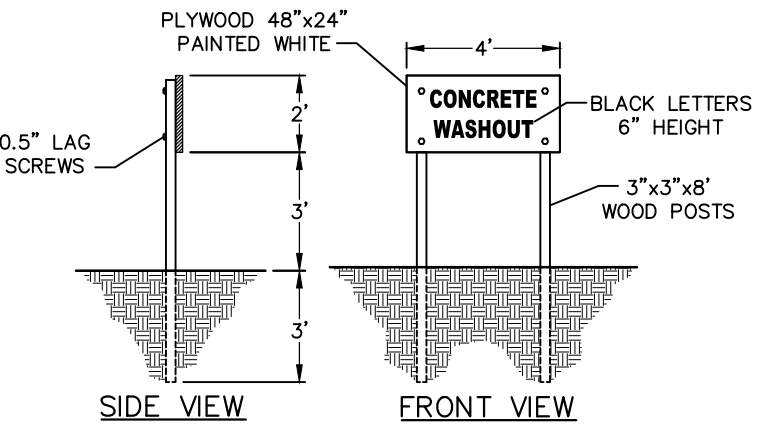
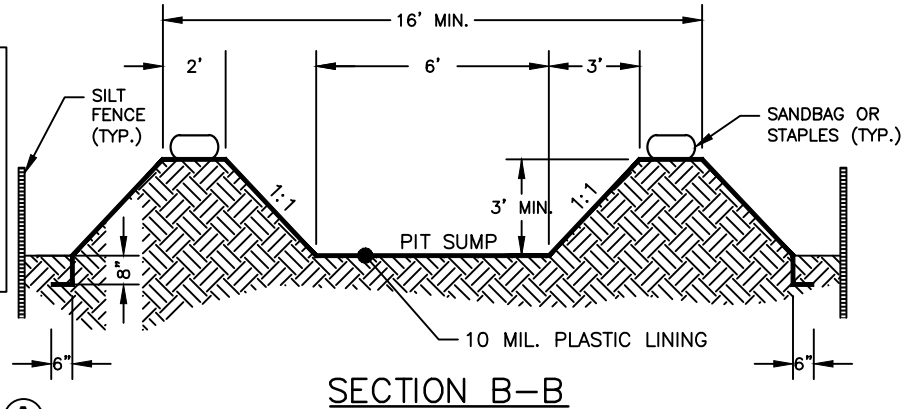
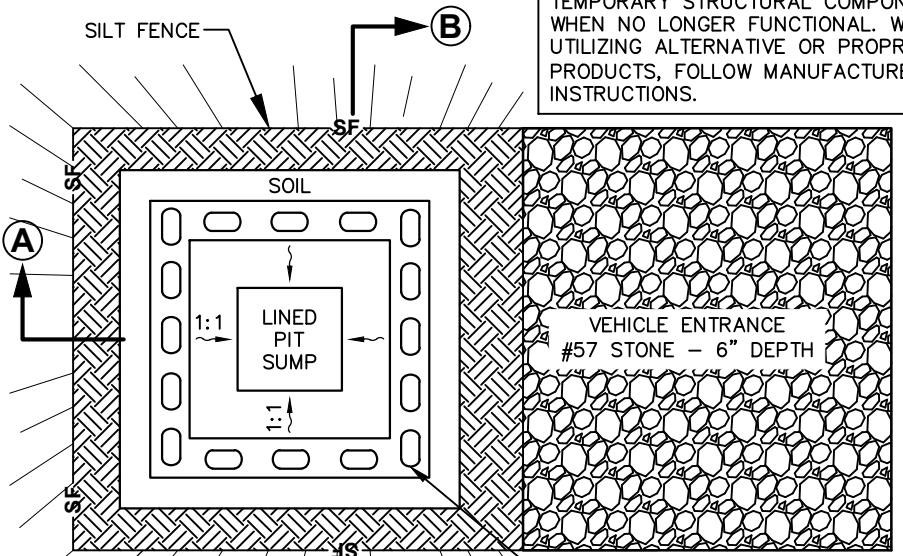


- NOTES:**
1. ACTUAL LAYOUT TO BE DETERMINED IN FIELD.
 2. THE "CONCRETE WASHOUT" SIGN SHALL BE INSTALLED WITHIN 30 FEET OF THE TEMPORARY CONCRETE WASHOUT FACILITY.
 3. PIT CAPACITY IS MINIMUM OF 6 CUBIC FEET PER 10 CUBIC YARDS OF CONCRETE.
 4. INSTALL TEMPORARY CONCRETE WASHOUTS PER CARY REQUIREMENTS, WHERE APPLICABLE. IF AN ALTERNATE METHOD OR PRODUCT IS TO BE USED, CONTACT A CARY STORMWATER FIELD SERVICES TECHNICIAN.

MAINTENANCE:
 REMOVE LEAVINGS FROM THE WASHOUT WHEN AT APPROXIMATELY 75% CAPACITY TO LIMIT OVERFLOW EVENTS. REPLACE THE TARP, SAND BAGS, OR OTHER TEMPORARY STRUCTURAL COMPONENTS WHEN NO LONGER FUNCTIONAL. WHEN UTILIZING ALTERNATIVE OR PROPRIETARY PRODUCTS, FOLLOW MANUFACTURER'S INSTRUCTIONS.



PLAN VIEW

"CONCRETE WASHOUT" SIGN DETAILS



EFFECTIVE: 07/01/23

CONCRETE WASHOUT - ABOVE GRADE

DETAIL No.
 4000.28
 SHEET 2 OF 2