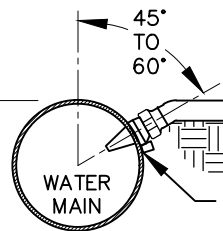


4'-0" MIN. (TYP.)

NOTE:  
MARKING TAPE SHALL HAVE  
DETECTABLE MARKERS  
EMBEDDED IN THE TAPE AND  
SPACED ADEQUATELY TO  
PROVIDE CONTINUOUS  
DETECTION ALONG THE TAPE  
FROM ABOVE THE BURIED  
PIPE AT FINAL GRADE.

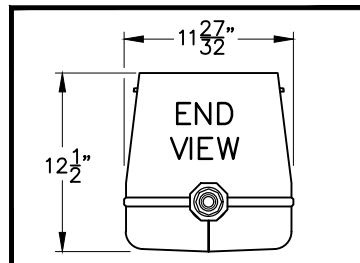
BURIED NO LEAD CURB STOP SHALL BE  
LOCATED WITHIN 2'-FT OF METER BOX

4'-FT MINIMUM  
DEPTH. BEGIN  
TRANSITION AT  
SIDEWALK.



WATER  
MAIN

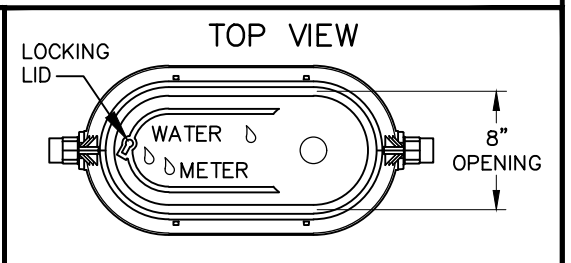
NO LEAD CORPORATION STOP



11 <sup>27</sup>/<sub>32</sub>"

12 <sup>1</sup>/<sub>2</sub>"

END  
VIEW



TOP VIEW

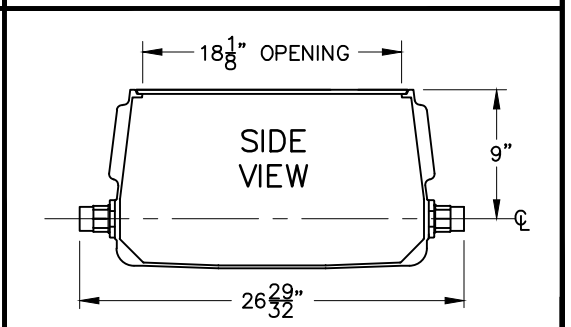
LOCKING  
LID

WATER  
METER

8"  
OPENING

NOTES:

1. WATER METER SHALL NOT BE LOCATED IN AREAS SUBJECT TO VEHICULAR TRAFFIC.
2. ALL METER BOXES AND LIDS SHALL BE APPROVED BY CARY.
3. ALL SERVICE LINES, VALVES AND FITTINGS SHALL COMPLY WITH AWWA C800.
4. FOR NON-RESIDENTIAL APPLICATIONS THAT REQUIRE AN ABOVE-GROUND BACKFLOW PREVENTER, THE DUAL CHECK ASSEMBLY MAY BE OMITTED.
5. BOX AND LID SHALL BE CAST GRAY IRON, ASTM A48, CLASS 25 OR ASTM A126 CLASS B.
6. ALL BRASS COMPONENTS SHALL BE 'NO LEAD' BRASS MEETING UNS C89833 AS PER ASTM B584.
7. ONE 2 OR 6 INCH GRADE ADJUSTER MAY BE UTILIZED WHEN NEEDED TO MEET FINAL GRADE (NO GRADE ADJUSTERS MAY BE USED ON NEW CONSTRUCTION PROJECTS). GRADE ADJUSTER AND BOX SHALL BE BY THE SAME MANUFACTURER.
8. APPROVED MARKING TAPE SHALL BE INSTALLED FOR ALL SERVICE CONNECTIONS FROM MAIN LINE TO METER FOR ALL NEW CONSTRUCTION OR RETROFIT INSTALLATIONS USING OPEN TRENCH METHODS.
9. WITHIN TOWNHOUSE DEVELOPMENTS, WATER SERVICES SHALL BE LOCATED WITHIN 4 FEET OF DRIVEWAYS IN ORDER TO MINIMIZE CONFLICTS BETWEEN SERVICE LINES AND TREES.



18 <sup>1</sup>/<sub>8</sub>" OPENING

SIDE  
VIEW

9"

26 <sup>29</sup>/<sub>32</sub>"



EFFECTIVE: 07/01/23

STANDARD 1" WATER SERVICE & METER BOX INSTALLATION  
FOR ROADWAY WITH CURB & GUTTER

DETAIL No.

6000.01