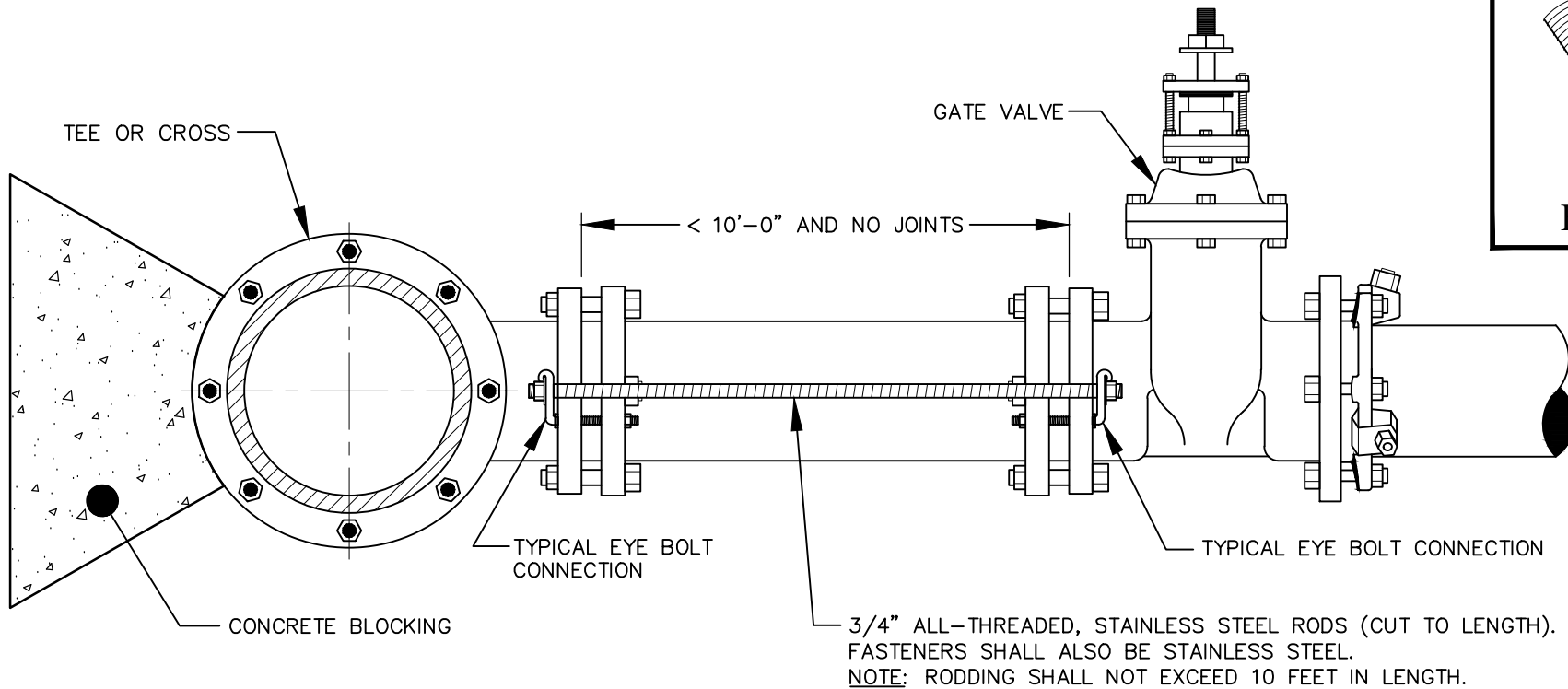


TYPICAL EYE BOLT



3/4" ALL-THREADED, STAINLESS STEEL RODS (CUT TO LENGTH). FASTENERS SHALL ALSO BE STAINLESS STEEL.
 NOTE: RODDING SHALL NOT EXCEED 10 FEET IN LENGTH.

GENERAL NOTES:

1. SEE STANDARD THRUST BLOCK DETAIL.
2. CONCRETE SHALL NOT CONTACT BOLTS OR ENDS OF MECHANICAL FITTINGS.
3. RODS SHALL NOT BE COUPLED.
4. ADDITIONAL JOINT RESTRAINT REQUIRED IN EACH DIRECTION (NOT SHOWN) FOR ALL VALVES TO OPERATE AS A DEAD END.

STAINLESS STEEL ROD REQUIREMENTS

<u>BRANCH SIZE</u>	<u>No. OF RODS</u>
4"	2
6"	2
8"	4
12"	6
16"	8

STANDARD VALVE RESTRAINT WITH RODDING
 AT A TEE OR CROSS UP TO 16" IN DIAMETER

DETAIL No.

6000.14



EFFECTIVE: 07/01/23