

CARY MAINTENANCE ENDS AT  
METER BOX OUTLET CONNECTION

EXISTING GRADE

R/W OR  
EASEMENT

4'-0" MIN.  
(TYP.)

1" PURPLE POLYETHYLENE PIPE (IPS)  
WITH NO JOINTS OR COUPLINGS

BURIED NO LEAD CURB STOP SHALL BE  
LOCATED WITHIN 2-FT OF METER BOX

1" IPS LH NO LEAD INLET  
(LEFT-HAND PIPE THREAD  
CONNECTIONS FOR  
RECLAIMED WATER)

RECLAIMED WATER METER, REVERSE THREADS,  
PROVIDED BY CARY

NO LEAD BRASS EXPANSION CONNECTION

1" IPS LH NO LEAD OUTLET  
(LEFT-HAND PIPE THREAD CONNECTIONS  
FOR RECLAIMED WATER)

2" DIAMETER READER HOLE

TOP OF METER SHALL BE CLEAR OF LID

SIDEWALK

NO LEAD INLET BALL VALVE  
W/ LOCKING T-HEAD

ROADWAY

CAUTION RECLAIMED WATER DO NOT DRINK

4-FT MIN. DEPTH

45° TO  
60°

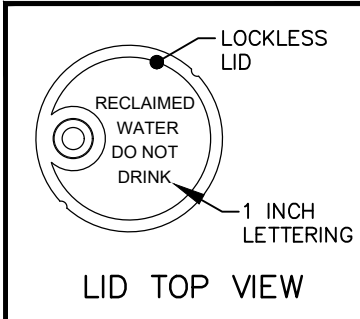
NO LEAD CORPORATION STOP IPS CONNECTION

PVC SERVICE SADDLE CONTROLLED DIAMETER

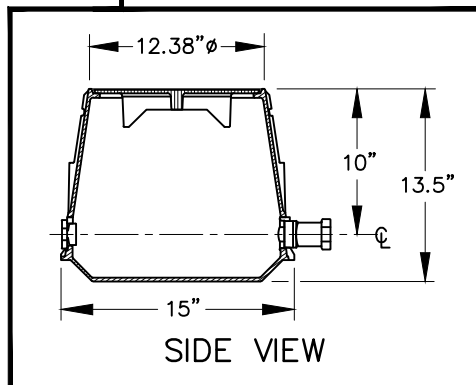
RECLAIMED  
WATER MAIN

UNDISTURBED SOIL

12" #57 WASHED STONE



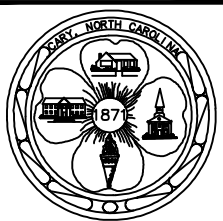
LID TOP VIEW



SIDE VIEW

**NOTES:**

1. WATER METER SHALL NOT BE LOCATED IN AREAS SUBJECT TO VEHICULAR TRAFFIC.
2. ALL METER BOXES AND LIDS SHALL BE APPROVED BY CARY.
3. ALL SERVICE LINES, VALVES AND FITTINGS SHALL COMPLY WITH AWWA C800.
4. THE INTERIOR AND EXTERIOR OF THE BOX AND LID SHALL BE COLORED PANTONE 522 PURPLE.
5. ALL RELOCATIONS OF EXISTING OR PERMITTED RECLAIMED WATER INFRASTRUCTURE INCLUDING SERVICE PIPING AND METER BOXES SHALL BE PERMITTED AND INSPECTED IN CONFORMANCE WITH CARY POLICIES AND PROCEDURES.
6. BOX AND LID SHALL BE CAST IRON, ASTM A48, CLASS 25.
7. ALL BRASS COMPONENTS SHALL BE 'NO LEAD' BRASS MEETING UNS C89833 AS PER ASTM B584.
8. APPROVED MARKING TAPE SHALL BE INSTALLED FOR ALL SERVICE CONNECTIONS FROM MAIN LINE TO METER FOR ALL NEW CONSTRUCTION OR RETROFIT INSTALLATIONS USING OPEN TRENCH METHODS.
9. WITHIN TOWNHOUSE DEVELOPMENTS, THE WATER SERVICES AND METER BOXES SHALL BE LOCATED WITHIN 4 FEET OF DRIVEWAYS IN ORDER TO MINIMIZE CONFLICTS BETWEEN SERVICE LINES AND TREES.



EFFECTIVE: 07/01/23

**STANDARD 1" RECLAIMED WATER SERVICE & METER BOX INSTALLATION**

DETAIL No.

6500.02