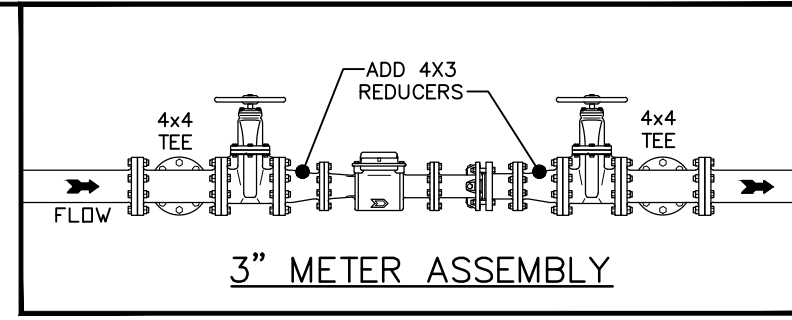


GENERAL NOTES:

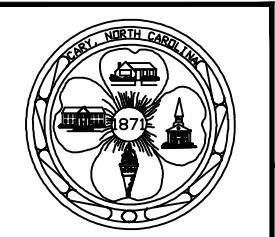
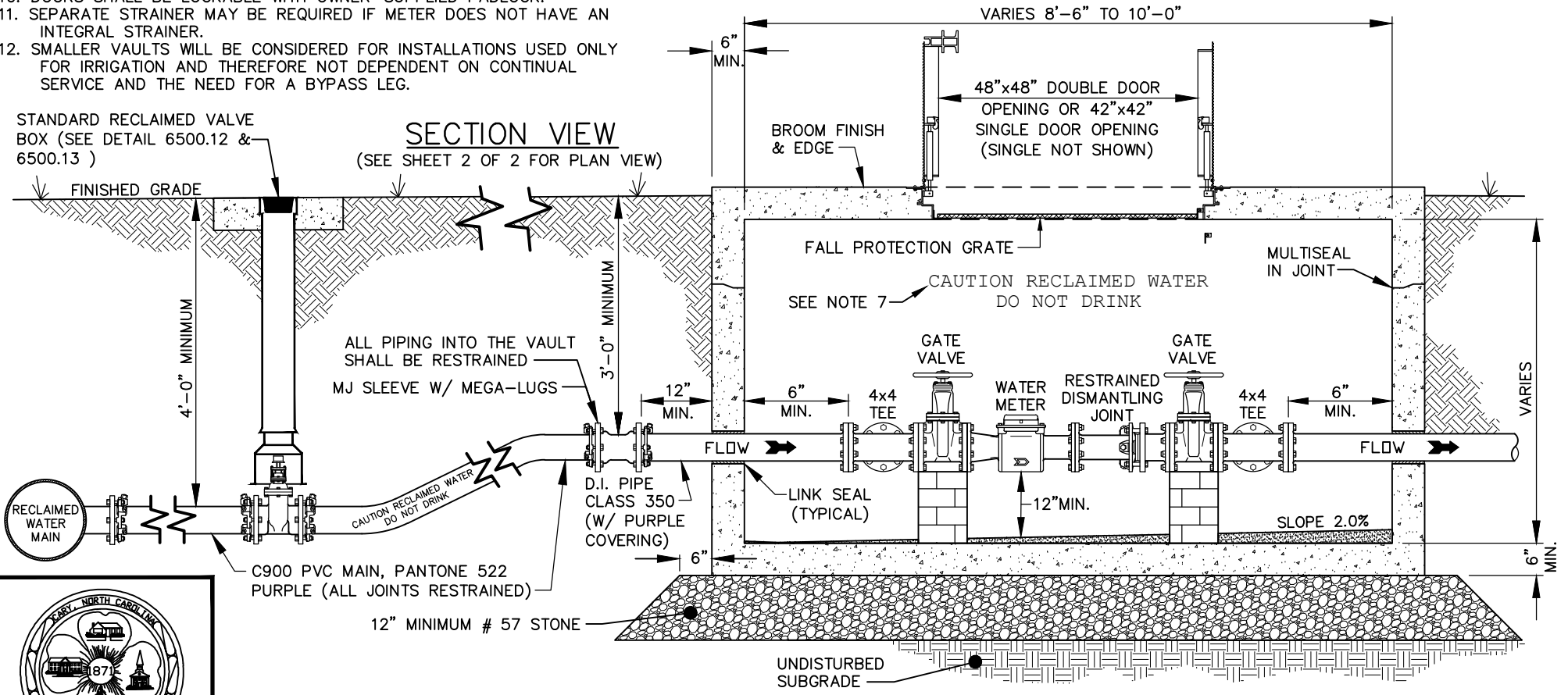
1. METER AND BYPASS ASSEMBLY PIPING INSIDE THE VAULT SHALL BE FLANGED DUCTILE IRON PIPE.
2. METER FACE TO BE AT LEAST 3 FEET BELOW FINISHED GRADE.
3. ACCESS DOOR SHALL BE ALUMINUM DOUBLE DOOR WITH A MINIMUM OPENING OF 48" x 48" OR A SINGLE ALUMINUM DOOR WITH A 42" x 42" OPENING. ALL DOORS SHALL BE H20 RATED.
4. THE TOP SIDE OF THE ACCESS DOORS SHALL BE PAINTED PANTONE 522 PURPLE.
5. VALVES SHALL BE IRON BODY, RESILIENT WEDGE GATE VALVES, WITH NON-RISING STEM, HANDWHEEL OPERATORS AND FLANGE CONNECTIONS.
6. ALL DUCTILE IRON PIPE, FITTINGS, AND VALVES SHALL BE PAINTED PANTONE 522 PURPLE TO DENOTE RECLAIMED WATER.
7. THE INSIDE OF THE VAULT SHALL BE PAINTED PURPLE AND THE WORDS, "CAUTION RECLAIMED WATER DO NOT DRINK" SHALL BE STENCILED ON BOTH SIDES OF THE VAULT IN A CENTRAL LOCATION VISIBLE ABOVE GROUND FROM THE ACCESS DOORS.
8. PIPE STANDS MADE OF BRICK, BLOCK, PRECAST CONCRETE, OR MANUFACTURED PIPE STANDS ARE ALLOWABLE.
9. PIPE ENTRY AND EXIT TO VAULT SHALL BE SEALED WITH A LINK SEAL.
10. DOORS SHALL BE LOCKABLE WITH OWNER-SUPPLIED PADLOCK.
11. SEPARATE STRAINER MAY BE REQUIRED IF METER DOES NOT HAVE AN INTEGRAL STRAINER.
12. SMALLER VAULTS WILL BE CONSIDERED FOR INSTALLATIONS USED ONLY FOR IRRIGATION AND THEREFORE NOT DEPENDENT ON CONTINUAL SERVICE AND THE NEED FOR A BYPASS LEG.



STANDARD RECLAIMED VALVE BOX (SEE DETAIL 6500.12 & 6500.13)

SECTION VIEW

(SEE SHEET 2 OF 2 FOR PLAN VIEW)



STANDARD RECLAIMED WATER 3" OR 4" METER INSTALLATION & BOX

DETAIL No.
6500.05
SHEET 1 OF 2

EFFECTIVE: 07/01/23